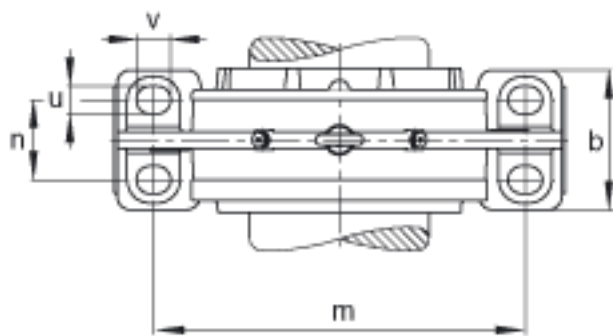
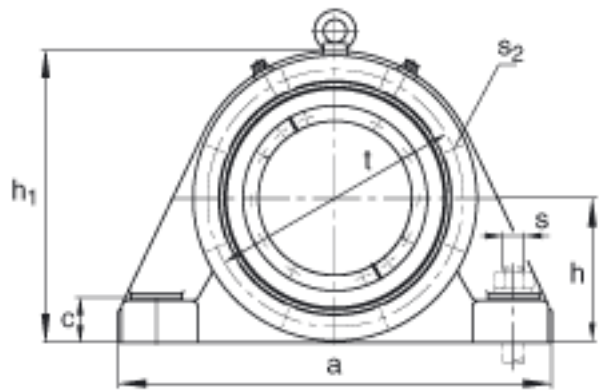
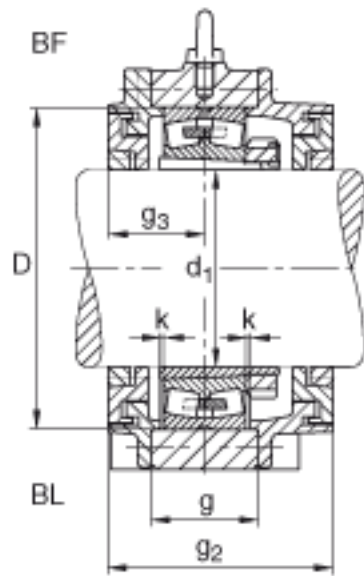


FAG BND3180-H-W-Y-BF-S参数

| | | | | |
|----|-------|----------|----|---------|
| 尺寸 | d_1 | 380 | mm | - |
| | a | 1280 | mm | - |
| | h_1 | 820 | mm | - |
| | s_2 | 465 | mm | - |
| | b | 400 | mm | - |
| | c | 130 | mm | - |
| | D | 650 | mm | - |
| | g | 235 | mm | - |
| | s_3 | 200 | mm | - |
| | h | 410 | mm | - |
| | m | 1040 | mm | - |
| | n | 210 | mm | - |
| | s | M64 | | - |
| 说明 | s_2 | M30 | | - |
| 尺寸 | t | 710 | mm | - |
| | u | 72 | mm | - |
| | v | 90 | mm | - |
| 说明 | s_2 | 8 | | 数量 |
| | | 23180K | | 型号, 轴承 |
| 其他 | | H3180-HG | | 质量, 紧定套 |
| 重量 | m_1 | 750000 | g | 质量, 轴承座 |
| 说明 | | BND3180 | | 型号, 轴承座 |

FAG BND3180-H-W-Y-BF-S图片





参考资料:<http://www.sozhou.com/p/78f1fcf9.html>