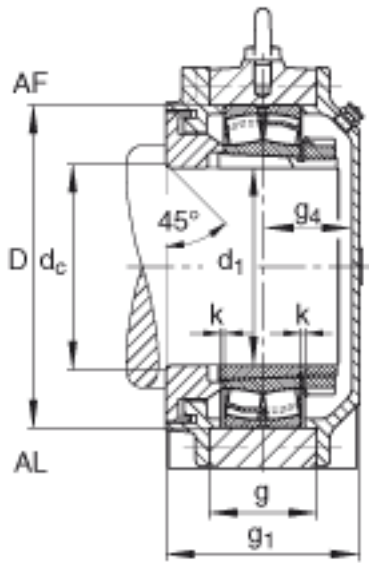


FAG BND2222-H-C-Y-AF-S参数

|    |                |         |    |         |
|----|----------------|---------|----|---------|
| 尺寸 | d <sub>1</sub> | 100     | mm | -       |
|    | a              | 440     | mm | -       |
|    | h <sub>1</sub> | 280     | mm | -       |
|    | s <sub>1</sub> | 149.2   | mm | -       |
|    | b              | 130     | mm | -       |
|    | c              | 42      | mm | -       |
|    | D              | 200     | mm | -       |
|    | d <sub>c</sub> | 108     | mm | -       |
|    | g              | 73      | mm | -       |
|    | s <sub>4</sub> | 60      | mm | -       |
|    | h              | 140     | mm | -       |
|    | m              | 350     | mm | -       |
|    | n              | 70      | mm | -       |
|    | s              | M24     |    | -       |
| 说明 | s <sub>2</sub> | M12     |    | -       |
| 尺寸 | t              | 230     | mm | -       |
|    | u              | 30      | mm | -       |
|    | v              | 35      | mm | -       |
| 说明 | s <sub>2</sub> | 6       |    | 数量      |
|    |                | 22222K  |    | 型号, 轴承  |
| 其他 |                | H322    |    | 质量, 紧定套 |
| 重量 | m <sub>1</sub> | 50000   | g  | 质量, 轴承座 |
| 说明 |                | BND2222 |    | 型号, 轴承座 |

FAG BND2222-H-C-Y-AF-S图片



参考资料: <http://www.sozhou.com/p/7b4059c0.html>

