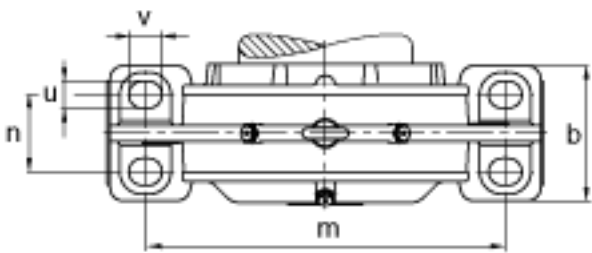
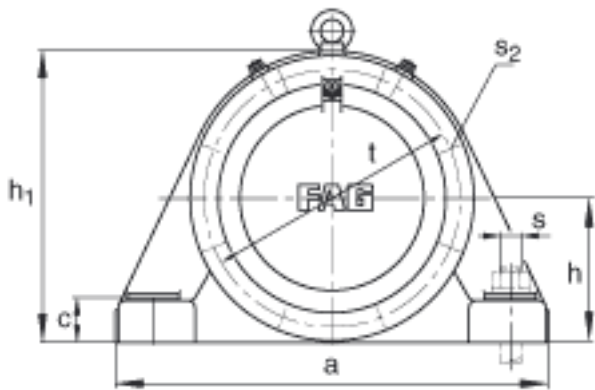
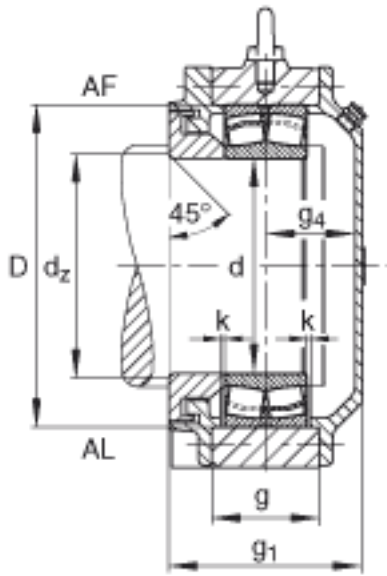


FAG BND2228-Z-Y-AF-S参数

| | | | | |
|----|-------|---------|-----|---------|
| 尺寸 | d | 140 | mm | - |
| | a | 530 | mm | - |
| | h_1 | 345 | mm | - |
| | b | 160 | mm | - |
| | c | 50 | mm | - |
| | D | 250 | mm | - |
| | d_z | 152 | mm | - |
| | g | 88 | mm | - |
| | g_4 | 70 | mm | - |
| | h | 170 | mm | - |
| | m | 430 | mm | - |
| | n | 85 | mm | - |
| | s | M24 | | - |
| | 说明 | s_2 | M16 | |
| 尺寸 | t | 285 | mm | - |
| | u | 30 | mm | - |
| | v | 35 | mm | - |
| 说明 | s_2 | 6 | | 数量 |
| | | 22228 | | 型号, 轴承 |
| | | BND2228 | | 型号, 轴承座 |
| 尺寸 | g_1 | 166 | mm | - |
| 重量 | m_1 | 70000 | g | 质量, 轴承座 |

FAG BND2228-Z-Y-AF-S图片





参考资料: <http://www.sozhou.com/p/7c06d9d6.html>