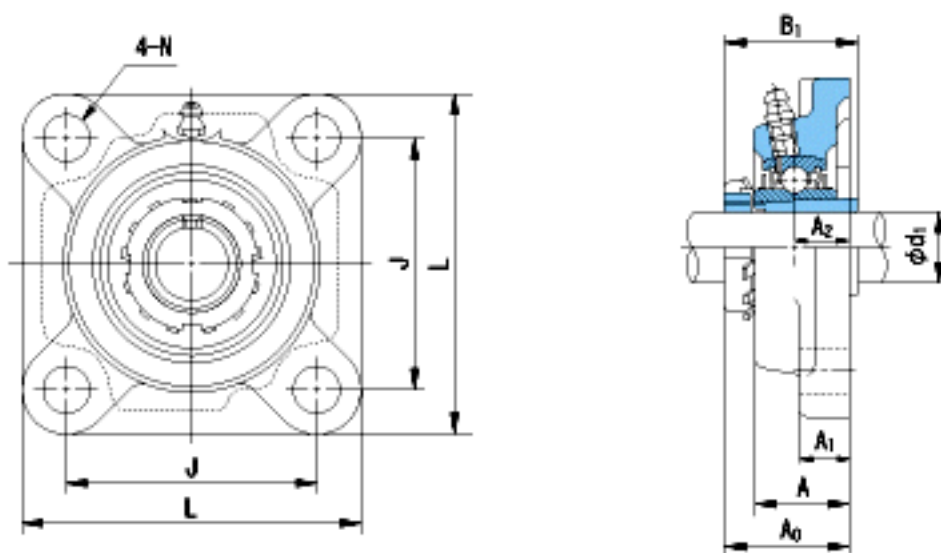


NACHI UKF319+H2319参数

| | | | | | |
|------|--------|--------|--------|-----|-----|
| 外形尺寸 | L | 290 | mm | - | |
| | J | 228 | mm | - | |
| | N | 35 | mm | - | |
| 安装尺寸 | d1 | 85 | mm | - | |
| | A1 | 30 | mm | - | |
| | A2 | 59 | mm | - | |
| | B1 | 90 | mm | - | |
| | A | 94 | mm | - | |
| | A0 | 111 | mm | - | |
| | 重量 | Mass | 20800 | g | 重量 |
| | 基本额定载荷 | Cr | 153000 | N | 动载荷 |
| Cor | | 118400 | N | 静载荷 | |
| 极限速度 | Grease | - | r/min | 脂润滑 | |
| | Oil | - | r/min | 油润滑 | |

NACHI UKF319+H2319图片



参考资料:<http://www.sozhou.com/p/8221397b.html>