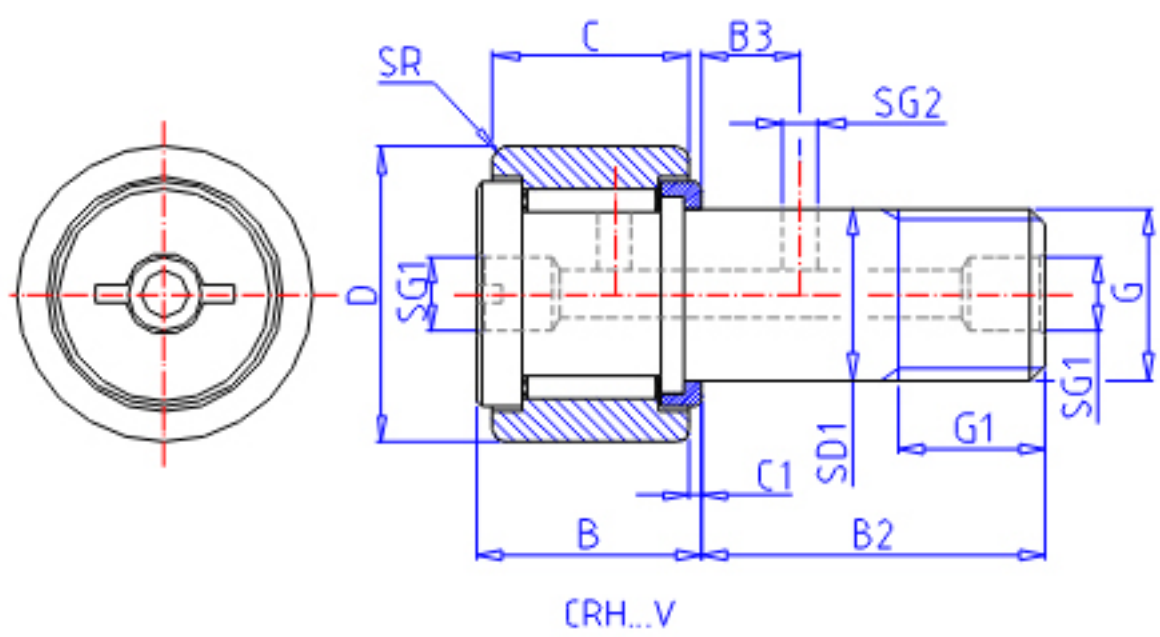
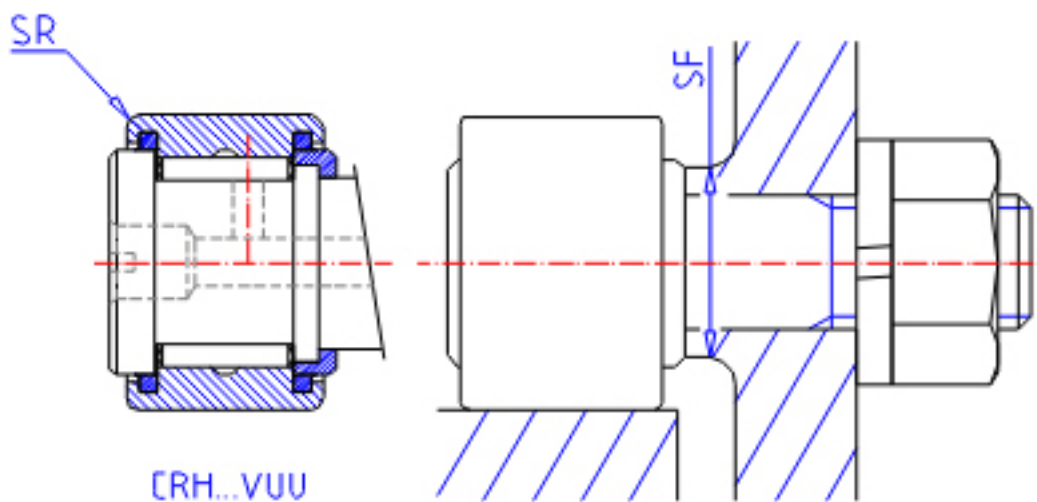


**IKO CRH 44V参数**

|        |        |          |        |      |   |
|--------|--------|----------|--------|------|---|
| 杆端直径   | STDRT  | 31.750   | mm     | 杆端直径 |   |
| 型号     | ORDER  | CRH 44V  |        | 型号   |   |
| 重量     | MASS   | 1460     | g      | 重量   |   |
| 主要尺寸   | D      | 69.850   | mm     | -    |   |
|        | C      | 38.100   | mm     | -    |   |
|        | SD1    | 31.750   | mm     | -    |   |
|        | G      | 1-1/4-12 |        | 螺纹规格 |   |
|        | G1     | 28.575   | mm     | 螺纹尺寸 |   |
|        | B      | 40.0     | mm     | -    |   |
|        | B2     | 57.150   | mm     | -    |   |
|        | B3     | 14.288   | mm     | -    |   |
|        | C1     | 1.588    | mm     | -    |   |
|        | SG1    | 4.762    | mm     | -    |   |
|        | SG2    | 3.175    | mm     | -    |   |
|        | SR     | 2.381    | mm     | (最小) |   |
|        | 安装尺寸   | SF       | 40.878 | mm   | - |
|        | 最大拧紧扭矩 | TRQ      | 500.0  | N. m | - |
| 基本额定载荷 | CR     | 61400    | N      | 动载荷  |   |
|        | COR    | 116000   | N      | 静载荷  |   |

**IKO CRH 44V图片**





参考资料:<http://www.sozhou.com/p/83f4ba10.html>

