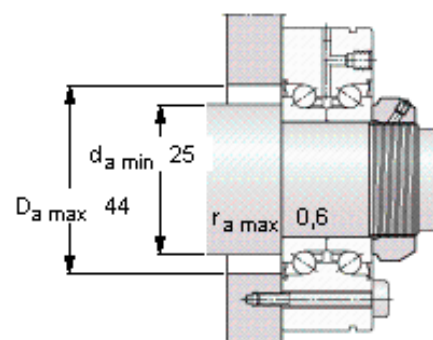
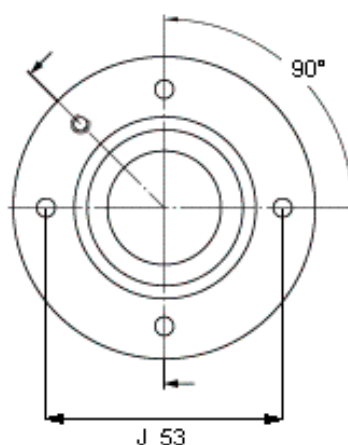
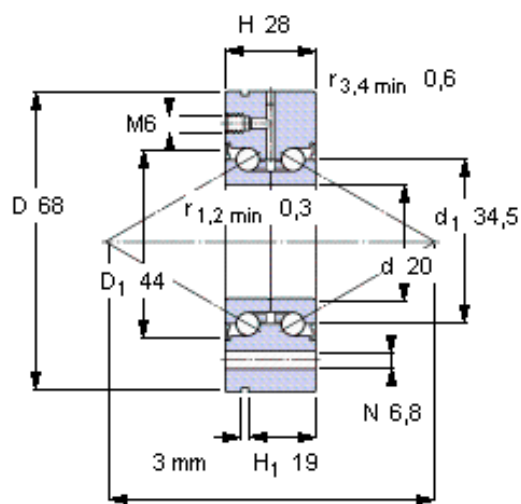


### SKF BEAM 020068-2RS/PE参数

主要尺寸	d	20	mm	-
	D	68	mm	-
	H	28	mm	-
基本额定载荷	C	26000	N	动载荷
	$C_0$	46500	N	静载荷
疲劳载荷极限	$P_u$	1730	N	-
可达转速	Attainable speed	3400	r/min	-
重量	重量	610	g	-
型号	型号	BEAM 020068-2RS/PE	-	-

### SKF BEAM 020068-2RS/PE图片



**Preload<sup>1)</sup> [N]**

1650

**Frictional moment<sup>1)</sup> [Nm]**

(guideline value)

0,3

<sup>1)</sup> Values apply to unmounted bearings

**Static stiffness<sup>1)</sup>**

(guideline values)

Axial [N/μm]

650

Moment [Nm/mrad]

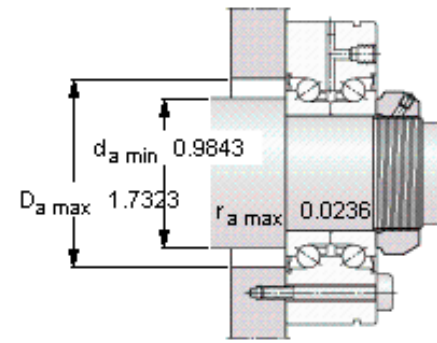
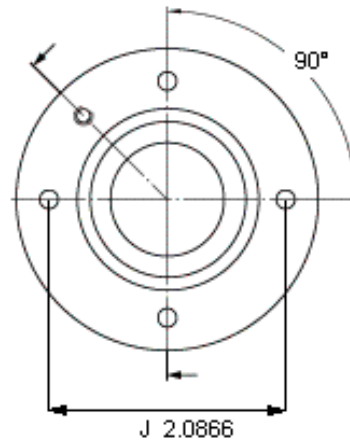
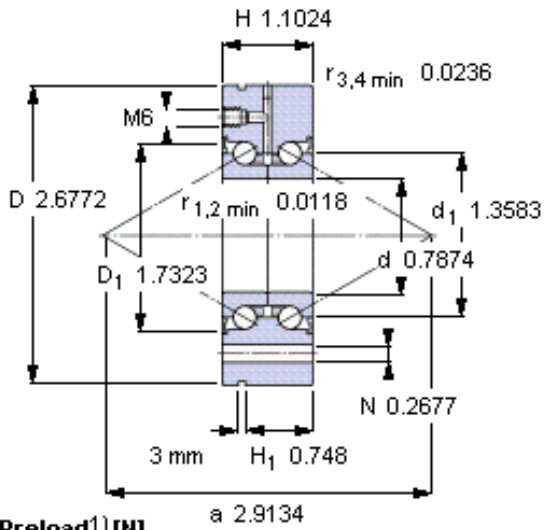
150

**Required attachment bolts**

(no. of bolts x pitch)

4 x 90°

参考资料: <http://www.sozhou.com/p/8413c4e3.html>



**Preload<sup>1)</sup> [N]**

1650

**Frictional moment<sup>1)</sup> [Nm]**

(guideline value)

0,3

<sup>1)</sup> Values apply to unmounted bearings

**Static stiffness<sup>1)</sup>**

(guideline values)

Axial [N/μm] 650

Moment [Nm/mrad] 150

**Required attachment bolts**

(no. of bolts x pitch)

4 x 90°