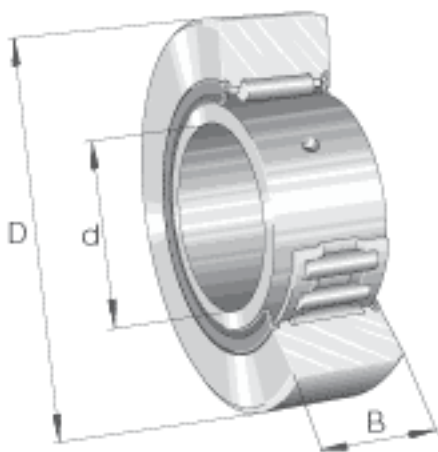


INA NA2203-2RSR参数

| | | | | |
|--------|--------------|-------|-------|--------------------|
| 尺寸 | d | 17 | mm | - |
| | D | 40 | mm | - |
| | B | 16 | mm | - |
| | C | 15.8 | mm | - |
| | $D_{1\ min}$ | 28 | mm | - |
| | F | 22 | mm | 内圈滚道直径 |
| | $r_{1\ min}$ | 0.3 | mm | - |
| | r_{\min} | 1 | mm | - |
| | 重量 | m | 112 | g |
| 基本额定载荷 | $C_{r\ w}$ | 9900 | N | 滚轮的有效额定动载荷 (径向) |
| | $C_{0r\ w}$ | 14000 | N | 滚轮的有效额定静载荷 (径向) |
| 疲劳极限载荷 | $C_{ur\ w}$ | 1840 | N | 疲劳极限载荷 |
| 极限转速 | $n_{D\ G}$ | 3000 | r/min | 转速 (脂润滑下连续运转) |

INA NA2203-2RSR图片



参考资料:<http://www.sozhou.com/p/854caf09.html>

