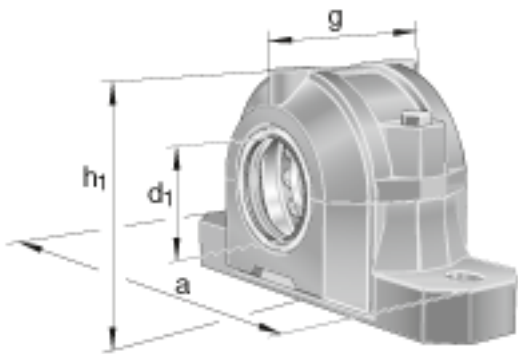
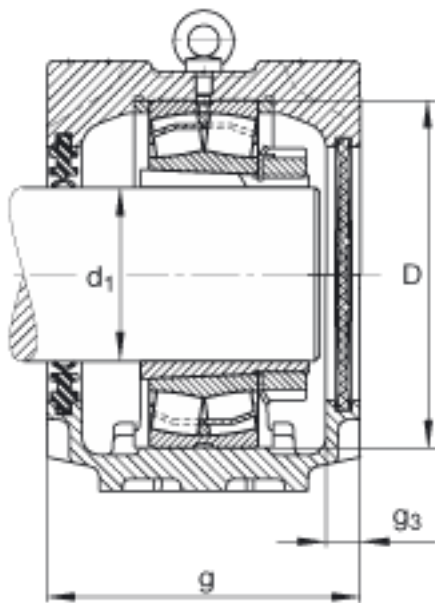
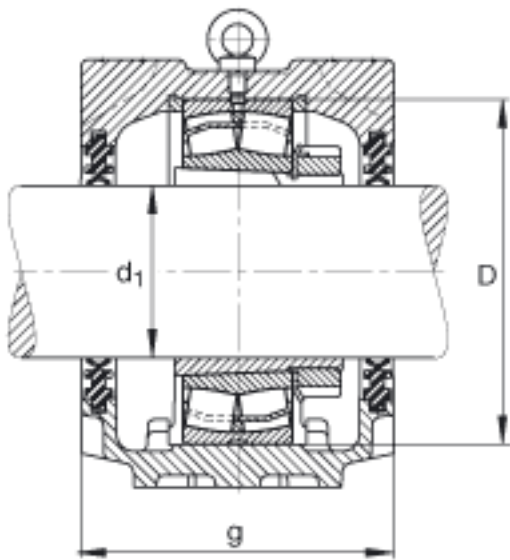


FAG SNV240-F-L + 22322K + H2322 + DH522参数

|    |       |            |       |          |
|----|-------|------------|-------|----------|
| 尺寸 | $d_1$ | 100        | mm    | -        |
|    | a     | 450        | mm    | -        |
|    | $h_1$ | 298        | mm    | -        |
|    | g     | 185        | mm    | -        |
|    | b     | 130        | mm    | -        |
|    | c     | 50         | mm    | -        |
|    | D     | 240        | mm    | -        |
|    | $g_3$ | 18         | mm    | -        |
|    | h     | 150        | mm    | -        |
|    | m     | 390        | mm    | -        |
|    | s     | M24        |       | -        |
|    | s     | 25.4       | mm    | -        |
|    | u     | 28         | mm    | -        |
|    | v     | 35         | mm    | -        |
|    | 重量    | $m_1$      | 32000 | g        |
| 说明 |       | 22322K     |       | 型号, 轴承   |
|    |       | H2322      |       | 质量, 紧定套  |
|    |       | FRM240/5   |       | 型号, 定位圈  |
|    |       | DH522      |       | 型号, 双唇密封 |
|    |       | DKV200     |       | 型号, 端盖   |
|    |       | SNV240-F-L |       | 型号, 轴承座  |

FAG SNV240-F-L + 22322K + H2322 + DH522图片







参考资料:<http://www.sozhou.com/p/8a9e013b.html>