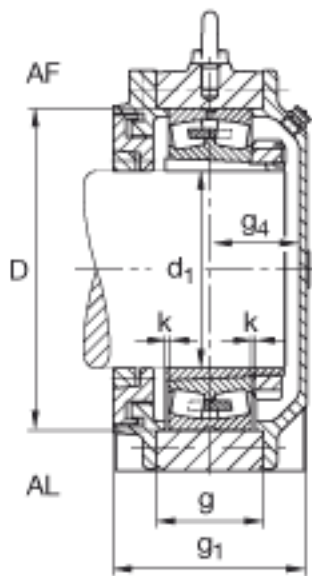


FAG BND3072-H-W-Y-AF-S参数

| | | | | |
|----|-------|----------|----|---------|
| 尺寸 | g_1 | 290 | mm | - |
| | b | 280 | mm | - |
| | D | 540 | mm | - |
| | g | 170 | mm | - |
| | g_4 | 138 | mm | - |
| | h | 330 | mm | - |
| | m | 820 | mm | - |
| | n | 180 | mm | - |
| | s | M36 | | - |
| 说明 | s_2 | M20 | | - |
| 尺寸 | t | 590 | mm | - |
| | u | 42 | mm | - |
| | v | 52 | mm | - |
| 说明 | s_2 | 8 | | 数量 |
| | | 23072K | | 型号, 轴承 |
| 其他 | | H3072-HG | | 质量, 紧定套 |
| 重量 | m_1 | 330000 | g | 质量, 轴承座 |
| 说明 | | BND3072 | | 型号, 轴承座 |
| 尺寸 | d_1 | 340 | mm | - |
| | a | 960 | mm | - |
| | h_1 | 660 | mm | - |
| | c | 100 | mm | - |

FAG BND3072-H-W-Y-AF-S图片





参考资料:<http://www.sozhou.com/p/8bad1f12.html>