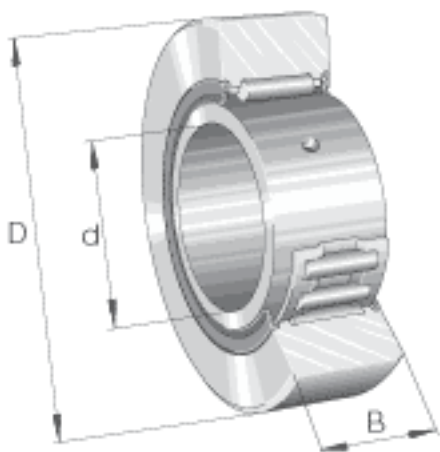


INA NA2206-2RSR参数

| | | | | |
|--------|--------------|-------|-------|--------------------|
| 尺寸 | d | 30 | mm | - |
| | D | 62 | mm | - |
| | B | 20 | mm | - |
| | C | 19.8 | mm | - |
| | $D_{1\ min}$ | 43 | mm | - |
| | F | 35 | mm | 内圈滚道直径 |
| | $r_{1\ min}$ | 0.3 | mm | - |
| | r_{\min} | 1 | mm | - |
| | 重量 | m | 324 | g |
| 基本额定载荷 | $C_{r\ w}$ | 17100 | N | 滚轮的有效额定动载荷 (径向) |
| | $C_{0r\ w}$ | 26000 | N | 滚轮的有效额定静载荷 (径向) |
| 疲劳极限载荷 | $C_{ur\ w}$ | 3550 | N | 疲劳极限载荷 |
| 极限转速 | $n_{D\ G}$ | 1400 | r/min | 转速 (脂润滑下连续运转) |

INA NA2206-2RSR图片



参考资料:<http://www.sozhou.com/p/8bfc570a.html>

