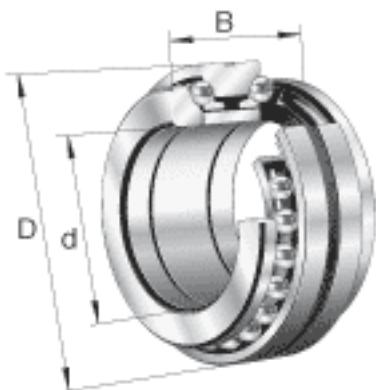


FAG 234706-M-SP参数

|        |                     |       |       |             |
|--------|---------------------|-------|-------|-------------|
| 尺寸     | d                   | 32    | mm    | -           |
|        | D                   | 55    | mm    | -           |
|        | B                   | 32    | mm    | -           |
|        | B <sub>1</sub>      | 8     | mm    | -           |
|        | C                   | 16    | mm    | -           |
|        | D <sub>a</sub> H12  | 50.5  | mm    | -           |
|        | d <sub>1</sub>      | 47    | mm    | -           |
|        | d <sub>a</sub> h12  | 40.5  | mm    | -           |
|        | d <sub>s</sub>      | 3.2   | mm    | -           |
|        | n <sub>s</sub>      | 4.8   | mm    | -           |
|        | r <sub>1</sub> min  | 0.15  | mm    | -           |
|        | r <sub>a</sub> max  | 1     | mm    | -           |
|        | r <sub>a1</sub> max | 0.15  | mm    | -           |
|        | r <sub>min</sub>    | 1     | mm    | -           |
|        | 重量                  | m     | 232   | g           |
| 基本额定载荷 | C <sub>a</sub>      | 15300 | N     | 基本额定动载荷, 轴向 |
|        | C <sub>0a</sub>     | 36000 | N     | 基本额定静载荷, 轴向 |
| 极限转速   | n <sub>G</sub> Fett | 11000 | r/min | 脂润滑时的极限转速   |
|        | n <sub>G</sub> Öl   | 16000 | r/min | 最少油润滑时的极限转速 |
| 疲劳极限载荷 | C <sub>ua</sub>     | 3250  | N     | 疲劳极限载荷, 轴向  |

FAG 234706-M-SP图片





参考资料:<http://www.sozhou.com/p/8cb37e62.html>