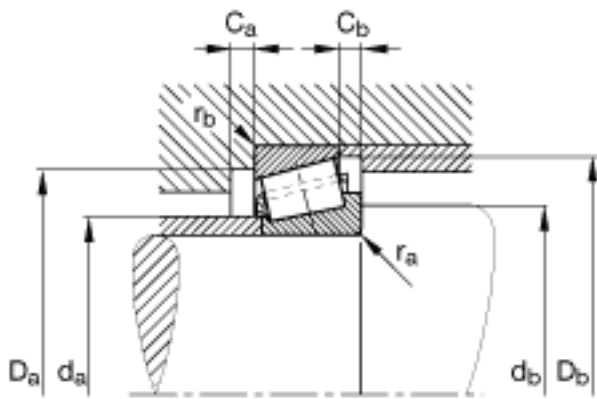
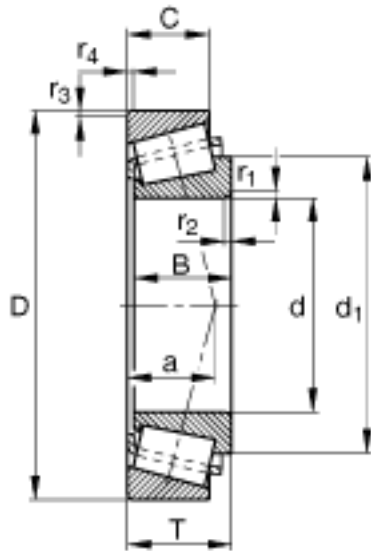
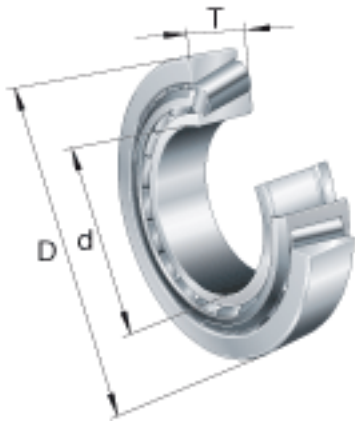


FAG K3490-3420参数

| | | | | |
|--------|-----------------|--------|-------|-------------|
| 尺寸 | $C_{b \min}$ | 5 | mm | - |
| | $D_{a \min}$ | 67 | mm | - |
| | $D_{b \min}$ | 74 | mm | - |
| | d_1 | 57.5 | mm | - |
| | $d_{a \max}$ | 45.5 | mm | - |
| | $d_{b \min}$ | 52 | mm | - |
| | $r_{1, 2 \min}$ | 3.6 | mm | - |
| | $r_{3, 4 \min}$ | 3.3 | mm | - |
| | $r_{a \max}$ | 3.6 | mm | - |
| | $r_{b \max}$ | 3.3 | mm | - |
| 重量 | m | 660 | g | 质量 |
| 基本额定载荷 | C_r | 90000 | N | 基本额定动载荷, 径向 |
| | C_{0r} | 110000 | N | 基本额定静载荷, 径向 |
| 计算系数 | e | 0.37 | | - |
| | Y | 1.64 | | - |
| | Y_0 | 0.9 | | - |
| 疲劳极限载荷 | C_{ur} | 13500 | N | 疲劳极限载荷, 径向 |
| 极限转速 | n_G | 9400 | r/min | 极限转速 |
| 尺寸 | d | 38.1 | mm | - |
| | D | 79.375 | mm | - |
| | T | 29.37 | mm | - |
| | a | 20.8 | mm | - |
| | B | 29.771 | mm | - |
| | C | 23.813 | mm | - |
| | $C_{a \min}$ | 2 | mm | - |

FAG K3490-3420图片



参考资料:<http://www.sozhou.com/p/912c8dda.html>