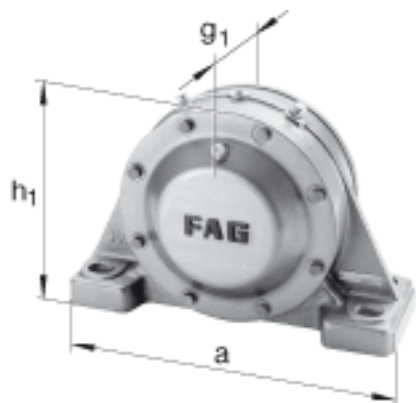
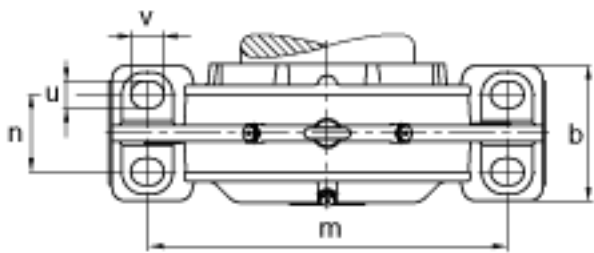
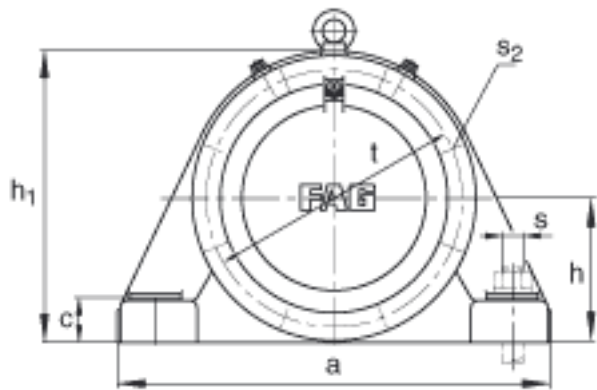
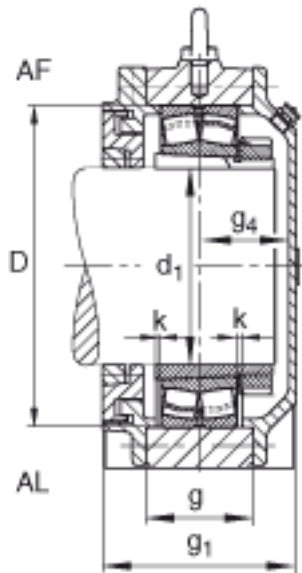


FAG BND3130-H-W-Y-AF-S参数

|    |       |         |    |         |
|----|-------|---------|----|---------|
| 尺寸 | $d_1$ | 135     | mm | -       |
|    | a     | 580     | mm | -       |
|    | $h_1$ | 345     | mm | -       |
|    | $g_1$ | 186     | mm | -       |
|    | b     | 200     | mm | -       |
|    | c     | 60      | mm | -       |
|    | D     | 250     | mm | -       |
|    | g     | 102     | mm | -       |
|    | $g_4$ | 85      | mm | -       |
|    | h     | 170     | mm | -       |
|    | m     | 450     | mm | -       |
|    | n     | 110     | mm | -       |
|    | s     | M24     |    | -       |
| 说明 | $s_2$ | M12     |    | -       |
| 尺寸 | t     | 285     | mm | -       |
|    | u     | 30      | mm | -       |
|    | v     | 35      | mm | -       |
| 说明 | $s_2$ | 8       |    | 数量      |
|    |       | 23130K  |    | 型号, 轴承  |
| 其他 |       | H3130   |    | 质量, 紧定套 |
| 重量 | $m_1$ | 70000   | g  | 质量, 轴承座 |
| 说明 |       | BND3130 |    | 型号, 轴承座 |

FAG BND3130-H-W-Y-AF-S图片





参考资料:<http://www.sozhou.com/p/93a22c6c.html>