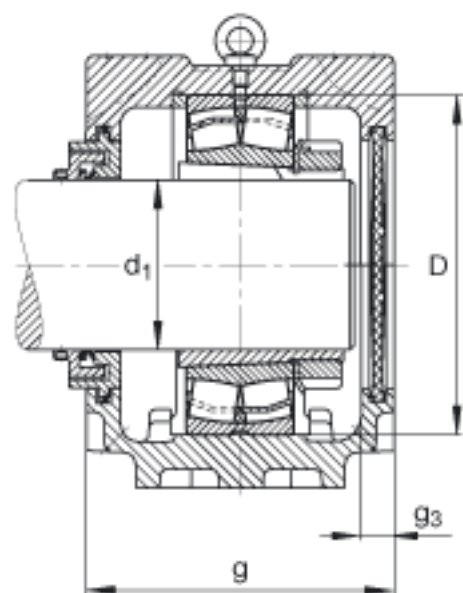
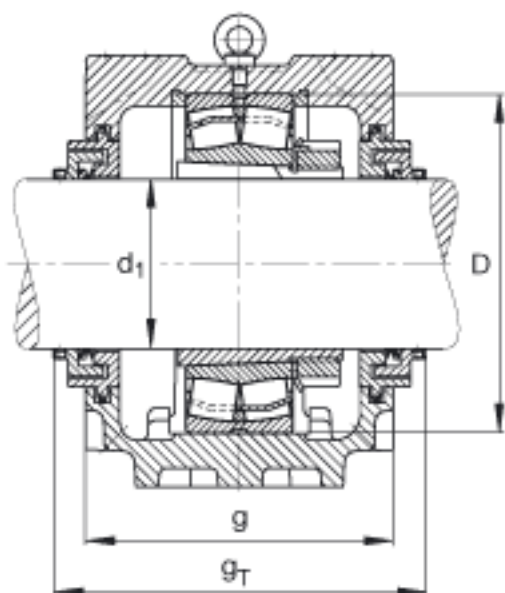


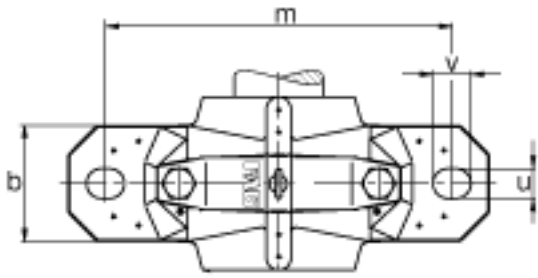
FAG SNV280-F-L + 22326K + H2326X407 + TCV526X407参数

| | | | | |
|----|-------|------------|----|-----------------|
| 说明 | | 22326K | | 型号, 轴承 |
| | | H2326X407 | | 质量, 紧定套 |
| | | FRM280/5 | | 型号, 定位圈 |
| | | TCV526.407 | | 型号, Taconite 密封 |
| | | DKV230 | | 型号, 端盖 |
| | | SNV280-F-L | | 型号, 轴承座 |
| 尺寸 | d_1 | 112.712 | mm | - |
| | a | 550 | mm | - |
| | h_1 | 344 | mm | - |
| | g | 205 | mm | - |
| | b | 160 | mm | - |
| | c | 60 | mm | - |
| | D | 280 | mm | - |
| | g_3 | 18 | mm | - |
| | g_T | 250 | mm | - |
| | h | 170 | mm | - |
| | m | 470 | mm | - |
| | s | M30 | | - |
| | s | 31.75 | mm | - |
| | u | 35 | mm | - |
| | v | 42 | mm | - |
| 重量 | m_1 | 55000 | g | 质量, 轴承座 |

FAG SNV280-F-L + 22326K + H2326X407 + TCV526X407图片







参考资料:<http://www.sozhou.com/p/93c9c832.html>