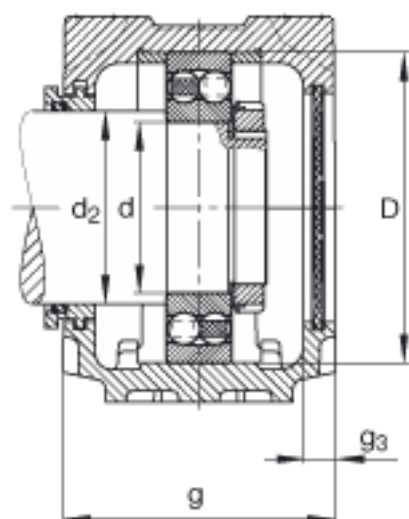
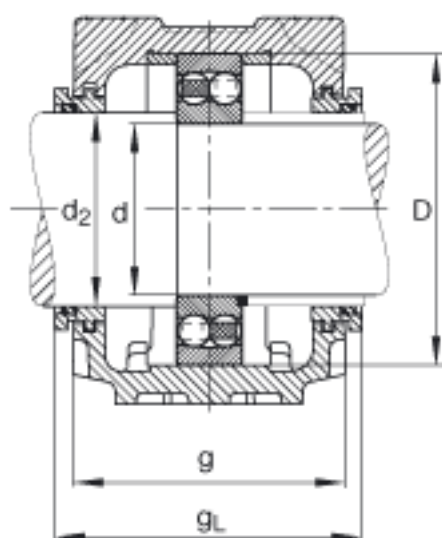


FAG SNV140-F-L + 2313 + TSV313参数

|    |                |            |    |          |
|----|----------------|------------|----|----------|
| 尺寸 | d              | 65         | mm | -        |
|    | a              | 315        | mm | -        |
|    | h <sub>1</sub> | 183        | mm | -        |
|    | g              | 135        | mm | -        |
|    | b              | 90         | mm | -        |
|    | c              | 32         | mm | -        |
|    | D              | 140        | mm | -        |
|    | d <sub>2</sub> | 75         | mm | -        |
|    | g <sub>3</sub> | 15         | mm | -        |
|    | g <sub>L</sub> | 150.3      | mm | -        |
|    | h              | 95         | mm | -        |
|    | m              | 260        | mm | -        |
|    | s              | M20        |    | -        |
|    | s              | 19.05      | mm | -        |
|    | u              | 22         | mm | -        |
| 重量 | m <sub>1</sub> | 9300       | g  | 质量, 轴承座  |
| 说明 |                | 2313       |    | 型号, 轴承   |
|    |                | KM13       |    | 型号, 锁紧螺母 |
|    |                | MB13       |    | 型号, 爪式垫圈 |
|    |                | FRM140/5   |    | 型号, 定位圈  |
|    |                | TSV313     |    | 型号, 迷宫密封 |
|    |                | DKV140     |    | 型号, 端盖   |
|    |                | SNV140-F-L |    | 型号, 轴承座  |
| 尺寸 | v              | 27         | mm | -        |

FAG SNV140-F-L + 2313 + TSV313图片





参考资料:<http://www.sozhou.com/p/95691e92.html>