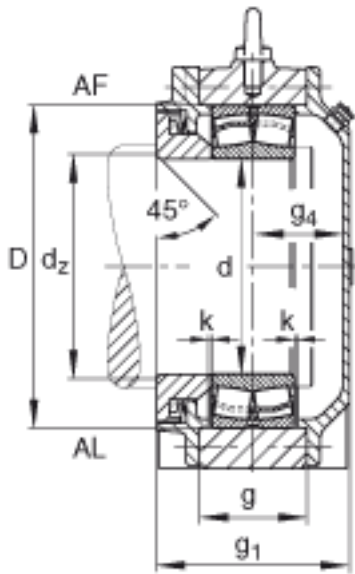


### FAG BND2234-Z-T-AL-S参数

|    |                |         |    |         |
|----|----------------|---------|----|---------|
| 尺寸 | d              | 170     | mm | -       |
|    | h <sub>1</sub> | 405     | mm | -       |
|    | g <sub>1</sub> | 216     | mm | -       |
|    | b              | 200     | mm | -       |
|    | c              | 62      | mm | -       |
|    | D              | 310     | mm | -       |
|    | d <sub>z</sub> | 186     | mm | -       |
|    | g              | 111     | mm | -       |
|    | g <sub>4</sub> | 88      | mm | -       |
|    | h              | 200     | mm | -       |
|    | k              | 3       | mm | -       |
|    | m              | 525     | mm | -       |
|    | n              | 110     | mm | -       |
|    | s              | M30     |    | -       |
| 说明 | s <sub>2</sub> | M16     |    | -       |
| 尺寸 | t              | 350     | mm | -       |
|    | u              | 36      | mm | -       |
|    | v              | 45      | mm | -       |
| 说明 | s <sub>2</sub> | 8       |    | 数量      |
|    |                | 22234   |    | 型号, 轴承  |
| 重量 | m <sub>1</sub> | 105000  | g  | 质量, 轴承座 |
| 说明 |                | BND2234 |    | 型号, 轴承座 |
| 尺寸 | a              | 640     | mm | -       |

### FAG BND2234-Z-T-AL-S图片



参考资料:<http://www.sozhou.com/p/956d0aa8.html>

