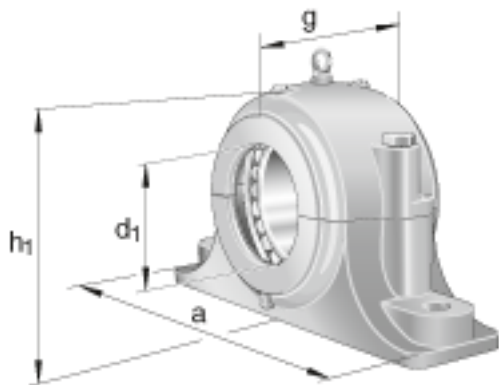
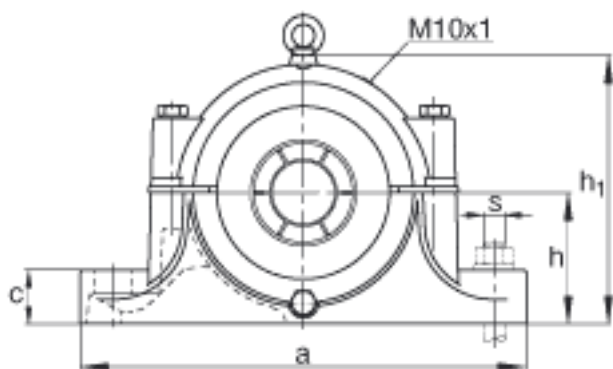
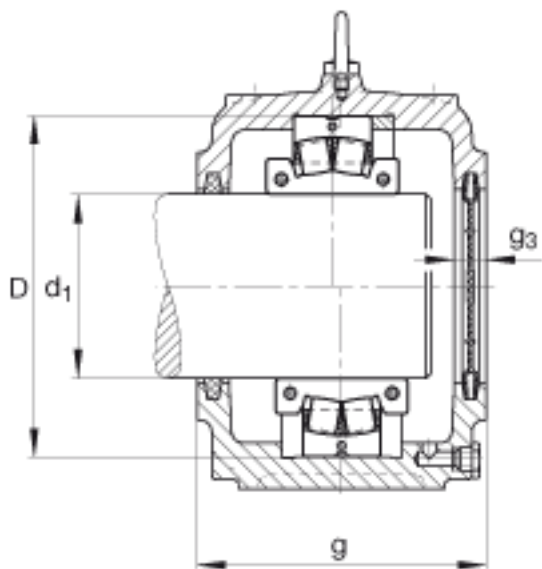
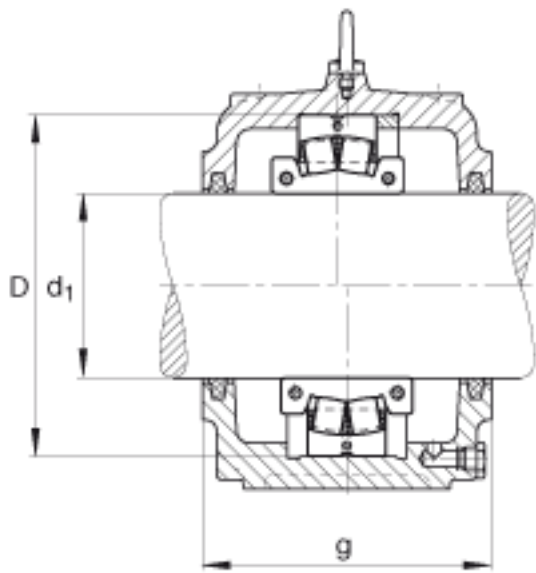


FAG S3034-H-N-FZ-AB-L + 230SM150-MA参数

|    |           |                   |    |         |
|----|-----------|-------------------|----|---------|
| 尺寸 | $d_1$     | 150               | mm | -       |
|    | a         | 540               | mm | -       |
|    | $h_1$     | 320               | mm | -       |
|    | g         | 200               | mm | -       |
|    | b         | 160               | mm | -       |
|    | c         | 55                | mm | -       |
|    | D         | 260               | mm | -       |
|    | h         | 160               | mm | -       |
|    | m         | 450               | mm | -       |
|    | s         | M30               |    | -       |
|    | s         | 28.575            | mm | -       |
|    | u         | 36                | mm | -       |
|    | v         | 48                | mm | -       |
|    | a x b x l | 16 x 12 x 270     | mm | 毡条      |
| 说明 |           | 2/4               |    | 数量, 毡条  |
|    |           | 230SM150-MA       |    | 型号, 轴承  |
|    |           | FRM260/10         |    | 型号, 定位圈 |
|    |           | DK166-182         |    | 型号, 端盖  |
| 重量 | $m_1$     | 45000             | g  | 质量, 轴承座 |
| 说明 |           | S3034-H-N-FZ-AB-L |    | 型号, 轴承座 |
| 尺寸 | $g_3$     | 25                | mm | -       |

FAG S3034-H-N-FZ-AB-L + 230SM150-MA图片





参考资料:<http://www.sozhou.com/p/9c16e345.html>

