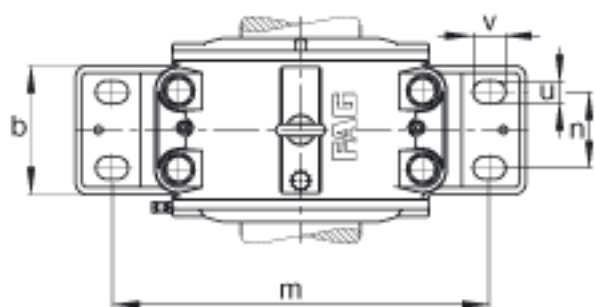
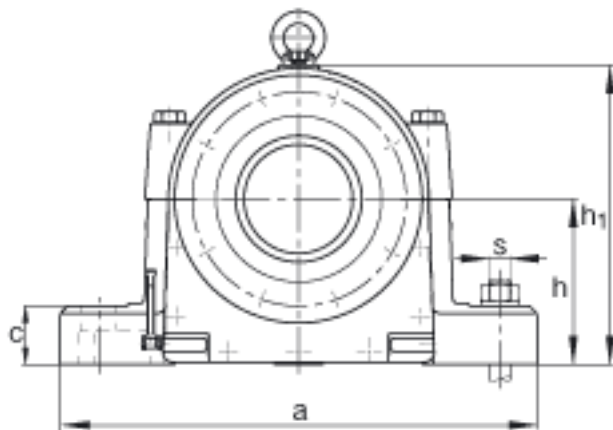
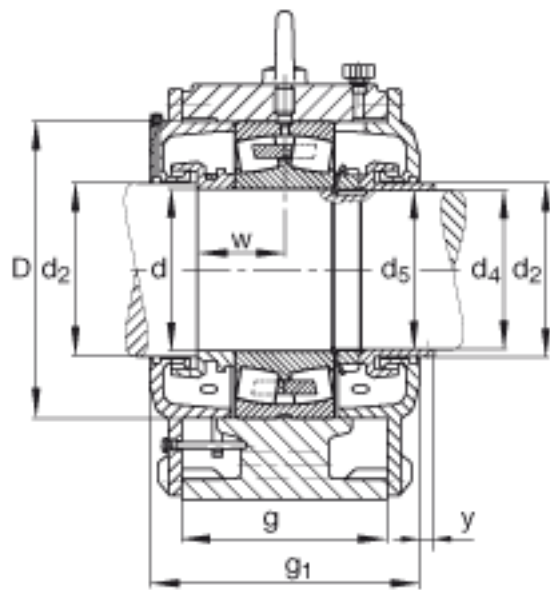
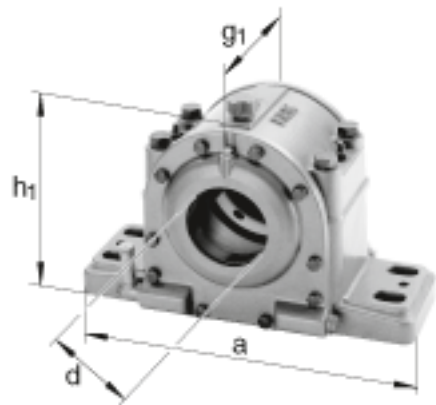


FAG LOE332-N-BF-L参数

| | | | | |
|----|----------------|---------------|----|----------|
| 尺寸 | d | 160 | mm | - |
| | a | 820 | mm | - |
| | h ₁ | 485 | mm | - |
| | g ₁ | 350 | mm | - |
| 说明 | | 80-105 | mm | 油位高度 |
| 尺寸 | b | 240 | mm | - |
| | c | 90 | mm | - |
| | D | 340 | mm | - |
| | d ₂ | 166 | mm | - |
| | d ₄ | 155 | mm | - |
| | d ₅ | M160x3 | | - |
| | g | 250 | mm | - |
| | h | 270 | mm | - |
| | m | 670 | mm | - |
| | n | 130 | mm | - |
| | s | M42 | | - |
| | u | 48 | mm | - |
| | v | 70 | mm | - |
| | w | 100 | mm | - |
| | y | 15 | mm | - |
| 说明 | | 22332 | | 型号, 轴承 |
| | | KM32 | | 型号, 锁紧螺母 |
| | | MB32 | | 型号, 爪式垫圈 |
| | | 7 1 | | 初始润滑油量 |
| 重量 | m ₁ | 240000 | g | 质量, 轴承座 |
| 说明 | | LOE332-N-BF-L | | 型号, 轴承座 |

FAG LOE332-N-BF-L图片



参考资料:<http://www.sozhou.com/p/9f02d5ed.html>