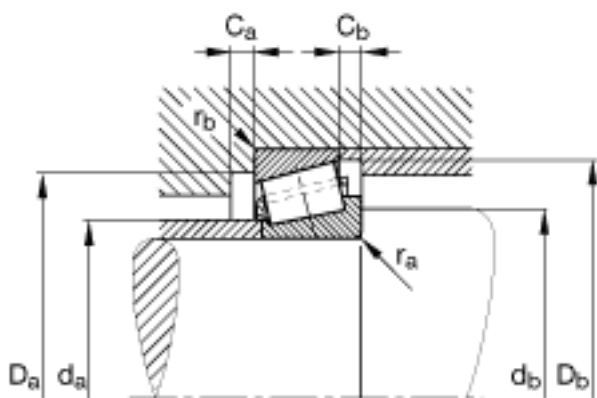
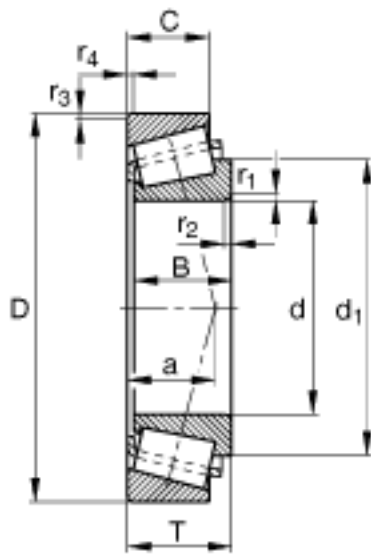
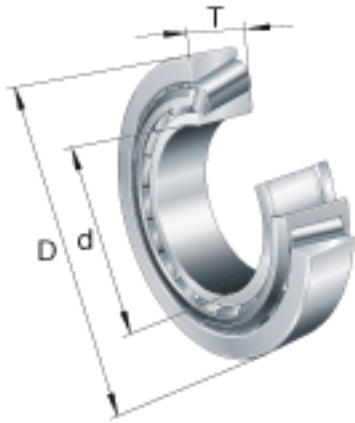


FAG 31328-X参数

| | | | | |
|--------|-----------------|---------|-------|--------------------------|
| 计算系数 | Y_0 | 0.4 | | - |
| 疲劳极限载荷 | C_{ur} | 103000 | N | 疲劳极限载荷，径向 |
| 极限转速 | n_G | 2250 | r/min | 极限转速 |
| 参考转速 | n_B | 1670 | r/min | 参考速度 |
| 说明 | | T7GB140 | | 根据 DIN ISO 355 的 对应型号 |
| 尺寸 | d | 140 | mm | - |
| | D | 300 | mm | - |
| | T | 77 | mm | - |
| | a | 94 | mm | - |
| | B | 70 | mm | - |
| | C | 47 | mm | - |
| | $C_{a \min}$ | 9 | mm | - |
| | $C_{b \min}$ | 30 | mm | - |
| | $D_{a \max}$ | 282 | mm | - |
| | $D_{a \min}$ | 235 | mm | - |
| | $D_{b \min}$ | 280 | mm | - |
| | d_1 | 223 | mm | - |
| | $d_{a \max}$ | 169 | mm | - |
| | $d_{b \min}$ | 158 | mm | - |
| | $r_{1, 2 \min}$ | 5 | mm | - |
| | $r_{3, 4 \min}$ | 4 | mm | - |
| | $r_{a \max}$ | 5 | mm | - |
| | $r_{b \max}$ | 4 | mm | - |
| 重量 | m | 23000 | g | 质量 |
| 基本额定载荷 | C_r | 700000 | N | 基本额定动载荷，径向 |
| | C_{0r} | 910000 | N | 基本额定静载荷，径向 |
| 计算系数 | e | 0.83 | | - |

FAG 31328-X图片



参考资料:<http://www.sozhou.com/p/a0ba08e5.html>