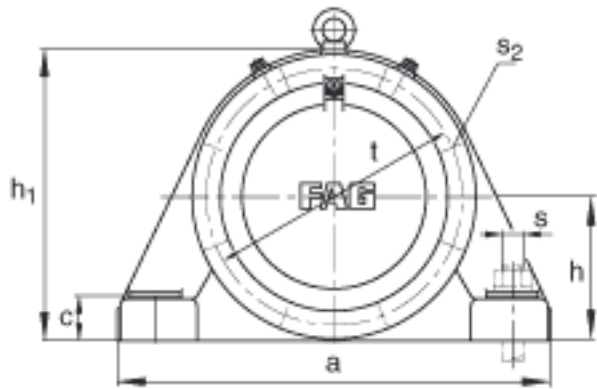
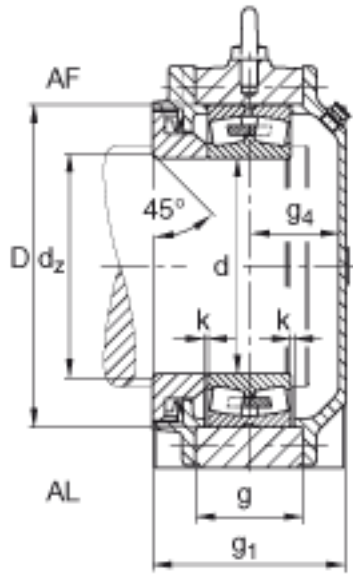


FAG BND3148-Z-T-AL-S参数

| | | | | |
|----|-------|---------|----|---------|
| 尺寸 | h_1 | 550 | mm | - |
| | g_1 | 284 | mm | - |
| | b | 250 | mm | - |
| | c | 80 | mm | - |
| | D | 400 | mm | - |
| | d_z | 256 | mm | - |
| | g | 160 | mm | - |
| | g_4 | 122 | mm | - |
| | h | 270 | mm | - |
| | k | 4 | mm | - |
| | m | 720 | mm | - |
| | n | 140 | mm | - |
| | s | M36 | | - |
| 说明 | s_2 | M20 | | - |
| 尺寸 | t | 455 | mm | - |
| | u | 42 | mm | - |
| | v | 52 | mm | - |
| 说明 | s_2 | 8 | | 数量 |
| | | 23148 | | 型号, 轴承 |
| 重量 | m_1 | 280000 | g | 质量, 轴承座 |
| 说明 | | BND3148 | | 型号, 轴承座 |
| 尺寸 | d | 240 | mm | - |
| | a | 890 | mm | - |

FAG BND3148-Z-T-AL-S图片



参考资料: <http://www.sozhou.com/p/a1f504db.html>

