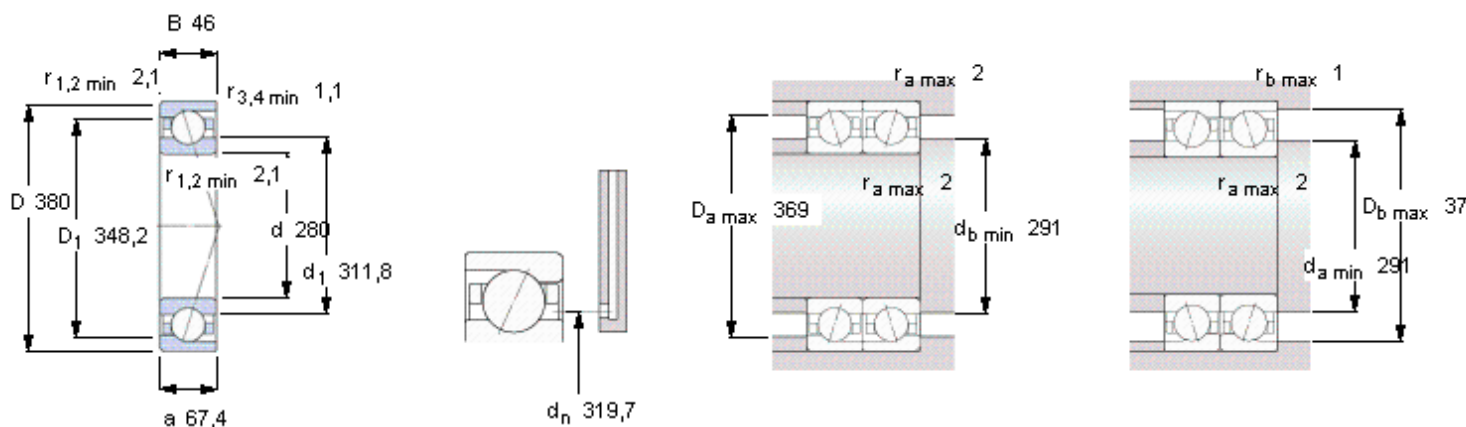


SKF 71956 CD/P4A参数

主要尺寸	d	280	mm	-
	D	380	mm	-
	B	46	mm	-
基本额定载荷	C	291000	N	动载荷
	C_0	455000	N	静载荷
疲劳载荷极限	P_u	10600	N	-
可达转速	Grease	3200	r/min	-
	Oil-air	4800	r/min	-
重量	重量	13000	g	-
型号	型号	71956 CD/P4A	-	-

SKF 71956 CD/P4A图片



Ball diameter 30,162

Number of balls 31

未安装时的预载荷 [N]

背对背配置，面对面配置

预载荷等级

A	B	C	D
1090	2180	4360	8720

Static axial stiffness [N/μm]

(guideline value)

预载荷等级

A	B	C	D
266	363	509	741

Reference grease quantity [cm³]

G_{ref} 159

计算系数

for equivalent bearing load

f_0 16,7

for preload in mounted bearing sets

f 1,27

f_1 1

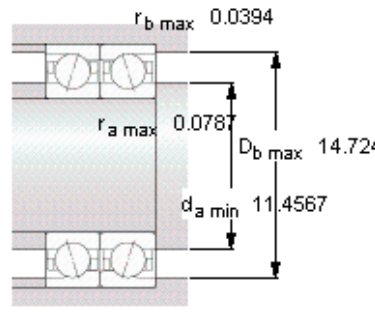
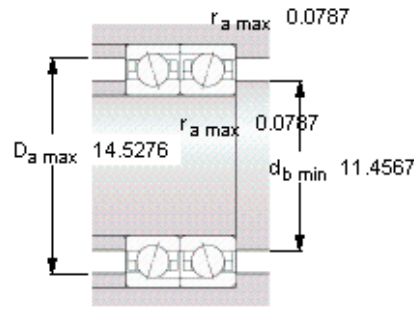
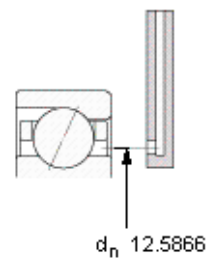
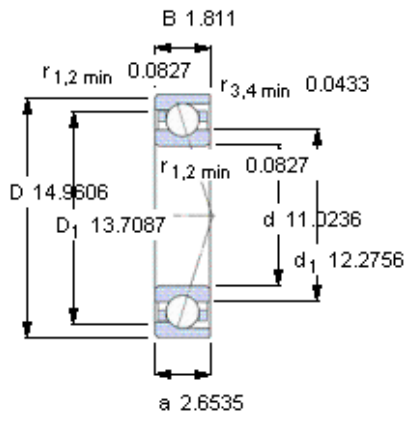
f_{2A} 1

f_{2B} 1,04

f_{2C} 1,09

f_{2D} 1,15

f_{HC} 1



Ball diameter 30,162

Number of balls 31

未安装时的预载荷 [N]

背对背配置，面对面配置

预载荷等级

A	B	C	D
1090	2180	4360	8720

Static axial stiffness [N/μm]

(guideline value)

预载荷等级

A	B	C	D
266	363	509	741

Reference grease quantity [cm³]

G_{ref} 159

计算系数

for equivalent bearing load

f₀ 16,7

for preload in mounted bearing sets

f 1,27

f₁ 1

f_{2A} 1

f_{2B} 1,04

f_{2C} 1,09

f_{2D} 1,15

f_{HC} 1