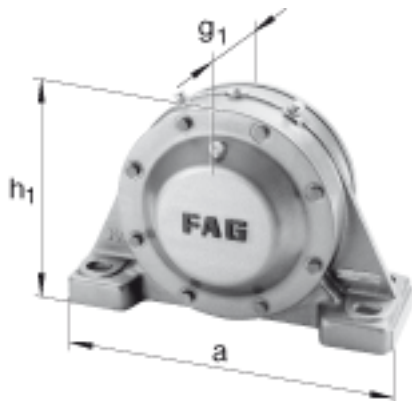
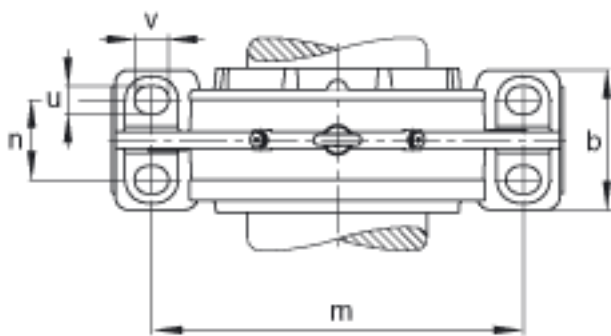
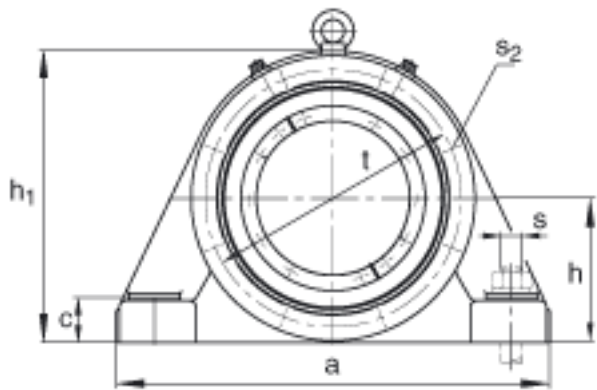
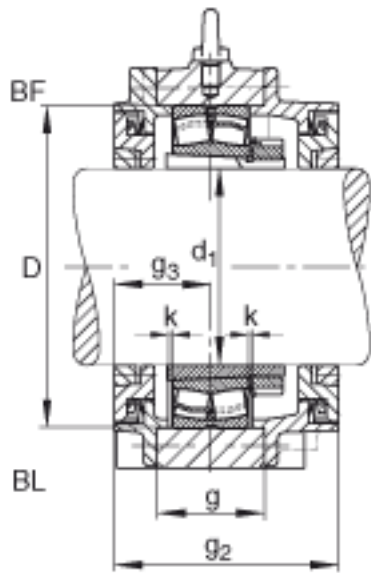


FAG BND3138-H-W-T-BF-S参数

|    |       |         |     |         |   |
|----|-------|---------|-----|---------|---|
| 说明 | $s_2$ | 8       |     | 数量      |   |
|    |       | 23138K  |     | 型号, 轴承  |   |
| 其他 |       | H3138   |     | 质量, 紧定套 |   |
| 重量 | $m_1$ | 125000  | g   | 质量, 轴承座 |   |
| 说明 |       | BND3138 |     | 型号, 轴承座 |   |
| 尺寸 | $d_1$ | 170     | mm  | -       |   |
|    | a     | 680     | mm  | -       |   |
|    | $h_1$ | 425     | mm  | -       |   |
|    | $g_2$ | 266     | mm  | -       |   |
|    | b     | 210     | mm  | -       |   |
|    | c     | 65      | mm  | -       |   |
|    | D     | 320     | mm  | -       |   |
|    | g     | 130     | mm  | -       |   |
|    | $g_3$ | 123     | mm  | -       |   |
|    | h     | 210     | mm  | -       |   |
|    | m     | 550     | mm  | -       |   |
|    | n     | 120     | mm  | -       |   |
|    | s     | M30     |     | -       |   |
|    | 说明    | $s_2$   | M16 |         | - |
|    | 尺寸    | t       | 370 | mm      | - |
| u  |       | 36      | mm  | -       |   |
| v  |       | 45      | mm  | -       |   |

FAG BND3138-H-W-T-BF-S图片





参考资料:<http://www.sozhou.com/p/a7f3ffa6.html>