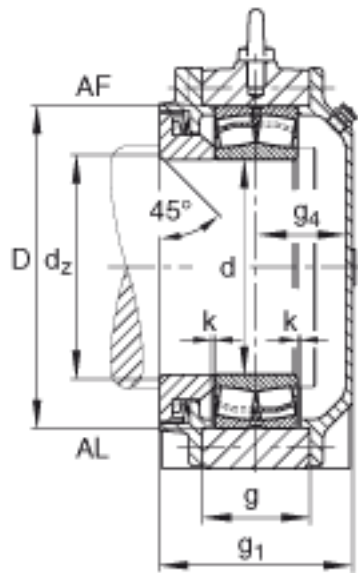


FAG BND3134-Z-T-AF-S参数

| | | | | |
|----|-------|---------|----|---------|
| 尺寸 | d_z | 178 | mm | - |
| | g | 120 | mm | - |
| | g_4 | 90 | mm | - |
| | h | 190 | mm | - |
| | m | 470 | mm | - |
| | n | 110 | mm | - |
| | s | M30 | | - |
| 说明 | s_2 | M12 | | - |
| 尺寸 | d | 170 | mm | - |
| | a | 570 | mm | - |
| | h_1 | 380 | mm | - |
| | g_1 | 215 | mm | - |
| | b | 200 | mm | - |
| | c | 55 | mm | - |
| | D | 280 | mm | - |
| | t | 330 | mm | - |
| | u | 36 | mm | - |
| | v | 45 | mm | - |
| 说明 | s_2 | 8 | | 数量 |
| | | 23134 | | 型号, 轴承 |
| 重量 | m_1 | 100000 | g | 质量, 轴承座 |
| 说明 | | BND3134 | | 型号, 轴承座 |

FAG BND3134-Z-T-AF-S图片





参考资料:<http://www.sozhou.com/p/ac8ef586.html>