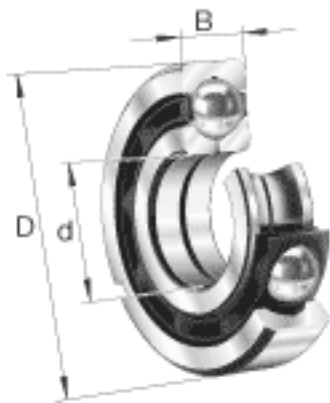
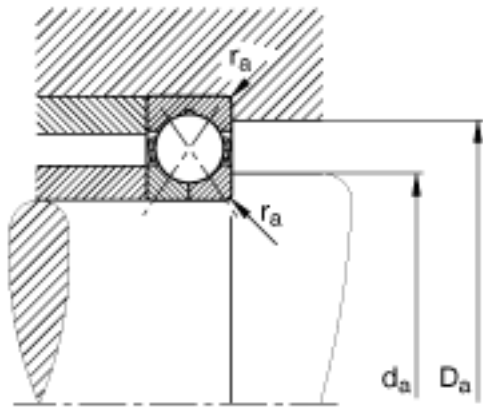
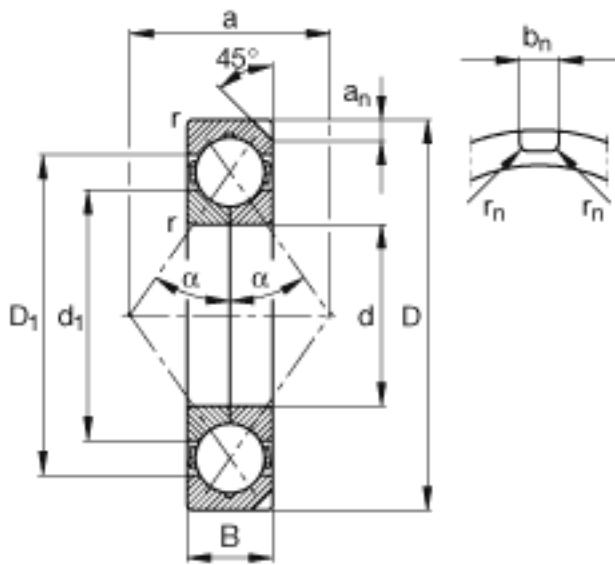


FAG QJ218-N2-MPA参数

| | | | | |
|--------|--------------|--------|-------|------------|
| 尺寸 | d | 90 | mm | - |
| | D | 160 | mm | - |
| | B | 30 | mm | - |
| | a | 88 | mm | - |
| | a_n | 8.1 | mm | - |
| | b_n | 6.5 | mm | - |
| | D_1 | 136.1 | mm | - |
| | $D_{a\ max}$ | 149 | mm | - |
| | d_1 | 114.2 | mm | - |
| | $d_{a\ min}$ | 101 | mm | - |
| | $r_{a\ max}$ | 2 | mm | - |
| | r_{min} | 2 | mm | - |
| | r_n | 1 | mm | - |
| | 重量 | m | 2800 | g |
| 基本额定载荷 | C_r | 168000 | N | 基本额定动载荷，径向 |
| | C_{0r} | 185000 | N | 基本额定静载荷，径向 |
| 极限转速 | n_G | 7400 | r/min | 极限转速 |
| 疲劳极限载荷 | C_{ur} | 8800 | N | 疲劳极限载荷，径向 |

FAG QJ218-N2-MPA图片





参考资料: <http://www.sozhou.com/p/b5fddc1f.html>