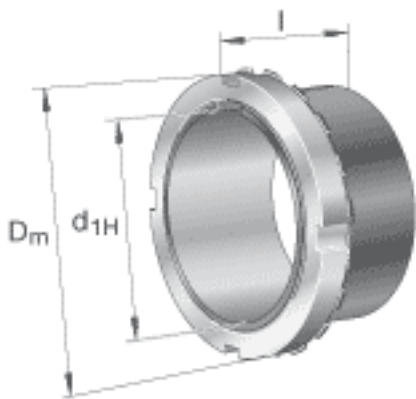


FAG H3288-HG参数

| | | | | |
|----|----------|---------|----|-----------|
| 尺寸 | d_{1H} | 410 | mm | - |
| | D_m | 560 | mm | - |
| | l | 361 | mm | - |
| | c | 70 | mm | - |
| | c_1 | 89 | mm | - |
| | d | 440 | mm | - |
| | d_{2G} | Tr440x5 | mm | - |
| | e | 6.5 | mm | - |
| | R_o | M8 | | - |
| | t | 12 | mm | - |
| 说明 | | 410 | mm | 轴 |
| | | HM3188 | | 型号, 螺母 |
| | | MS3188 | | 型号, 止动装置 |
| | | M16X25 | | 型号, 六角头螺栓 |
| 重量 | m | 120000 | g | 质量 |

FAG H3288-HG图片





参考资料:<http://www.sozhou.com/p/ba2c48d1.html>