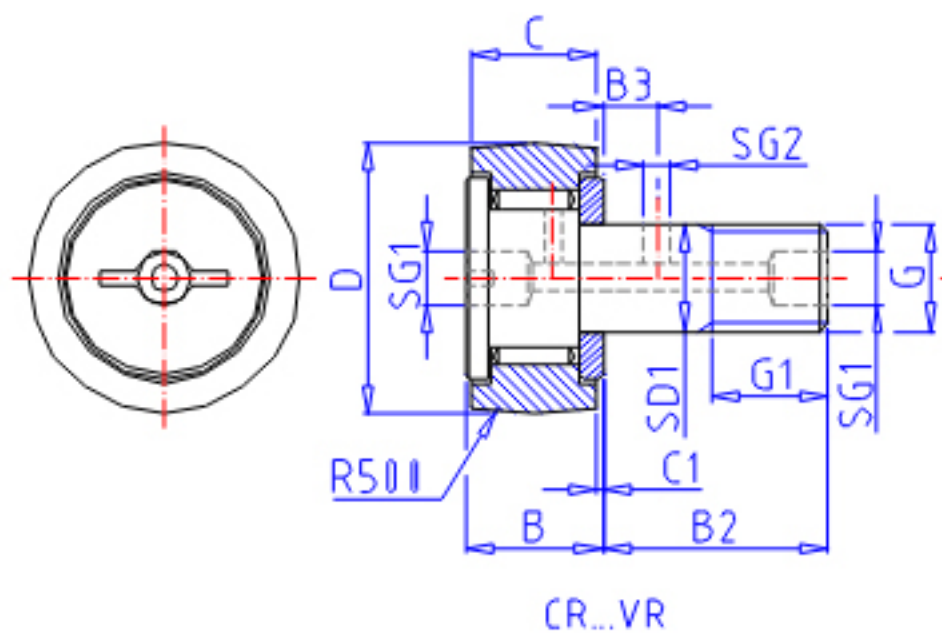
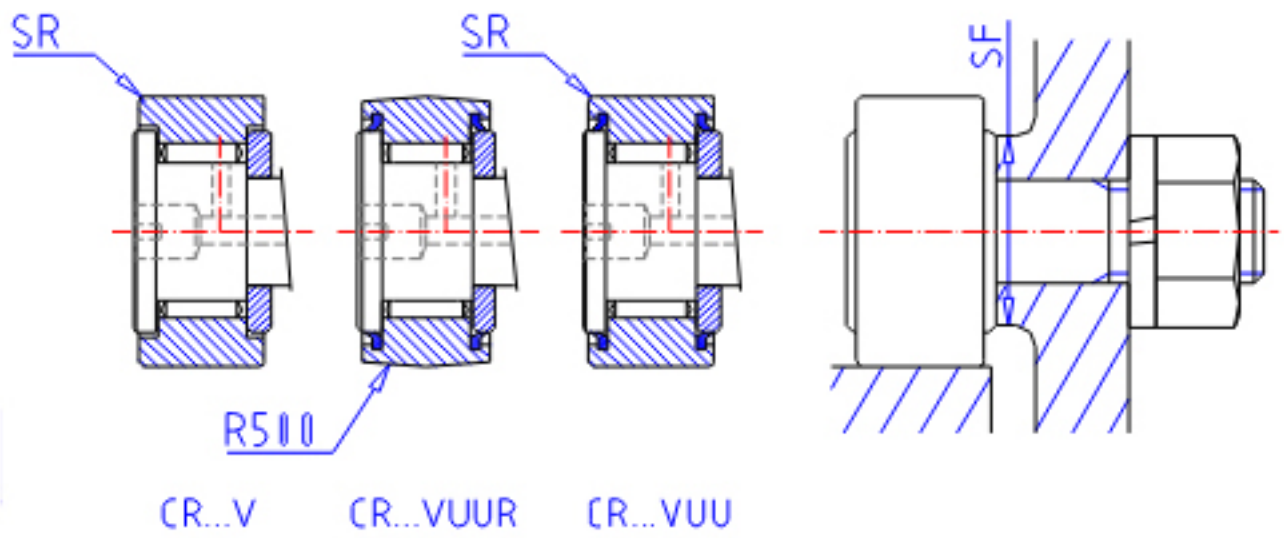


## IKO CR 12VR参数

|        |        |         |        |      |   |
|--------|--------|---------|--------|------|---|
| 杆端直径   | STDRT  | 9.525   | mm     | 杆端直径 |   |
| 型号     | ORDER  | CR 12VR |        | 型号   |   |
| 重量     | MASS   | 36      | g      | 重量   |   |
| 主要尺寸   | D      | 19.050  | mm     | -    |   |
|        | C      | 12.700  | mm     | -    |   |
|        | SD1    | 9.525   | mm     | -    |   |
|        | G      | 3/8-24  |        | 螺纹规格 |   |
|        | G1     | 9.525   | mm     | 螺纹尺寸 |   |
|        | B      | 14.2    | mm     | -    |   |
|        | B2     | 22.225  | mm     | -    |   |
|        | B3     | 6.35    | mm     | -    |   |
|        | C1     | 0.794   | mm     | -    |   |
|        | SG1    | 4.762   | mm     | -    |   |
|        | SG2    | 2.381   | mm     | -    |   |
|        | SR     | -       | mm     | (最小) |   |
|        | 安装尺寸   | SF      | 13.494 | mm   | - |
|        | 最大拧紧扭矩 | TRQ     | 10.8   | N.m  | - |
| 基本额定载荷 | CR     | 8710    | N      | 动载荷  |   |
|        | COR    | 12300   | N      | 静载荷  |   |

## IKO CR 12VR图片





参考资料:<http://www.sozhou.com/p/bd61a47d.html>

