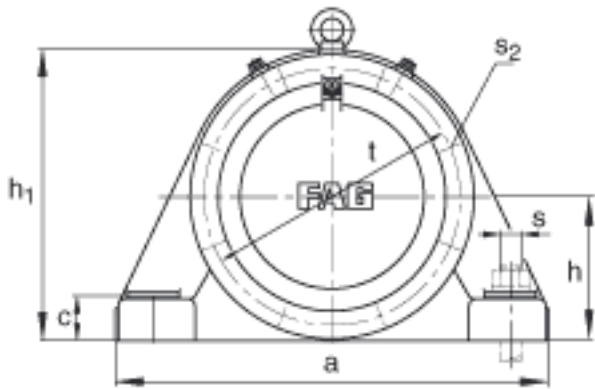
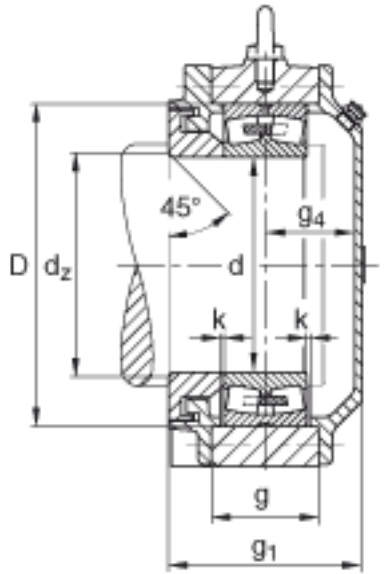
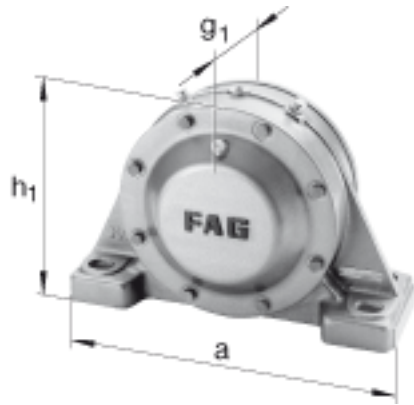


FAG BND2264-Z-Y-AL-S参数

| | | | | |
|----|----------------|---------|----|---------|
| 尺寸 | d | 320 | mm | - |
| | a | 1150 | mm | - |
| | h ₁ | 745 | mm | - |
| | g ₁ | 333 | mm | - |
| | b | 360 | mm | - |
| | c | 115 | mm | - |
| | D | 580 | mm | - |
| | d _z | 340 | mm | - |
| | g ₄ | 158 | mm | - |
| | h | 370 | mm | - |
| | k | 5 | mm | - |
| | m | 960 | mm | - |
| | n | 200 | mm | - |
| | s | M48 | | - |
| 说明 | s ₂ | M24 | | - |
| 尺寸 | t | 640 | mm | - |
| | u | 56 | mm | - |
| | v | 75 | mm | - |
| 说明 | s ₂ | 8 | | 数量 |
| | | 22264 | | 型号, 轴承 |
| 重量 | m ₁ | 600000 | g | 质量, 轴承座 |
| 说明 | | BND2264 | | 型号, 轴承座 |
| 尺寸 | g | 180 | mm | - |

FAG BND2264-Z-Y-AL-S图片



参考资料:<http://www.sozhou.com/p/bdef8359.html>

