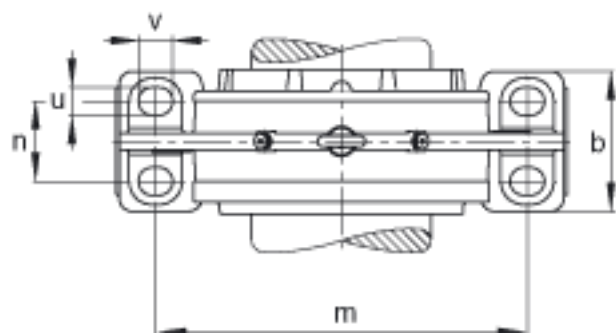
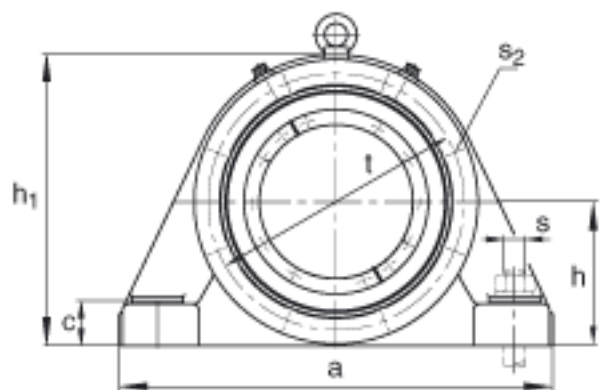
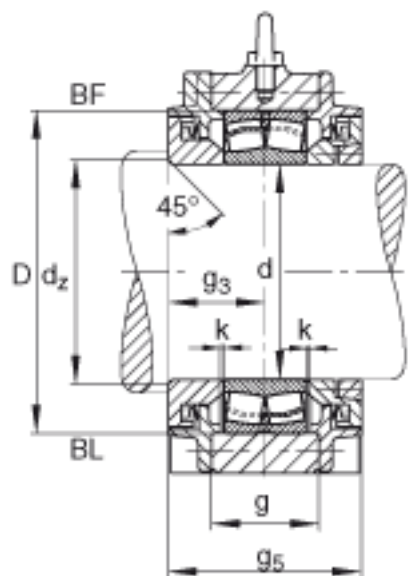


FAG BND2224-Z-T-BL-S参数

|    |                |         |    |         |
|----|----------------|---------|----|---------|
| 尺寸 | d              | 120     | mm | -       |
|    | a              | 470     | mm | -       |
|    | h <sub>1</sub> | 300     | mm | -       |
|    | b              | 140     | mm | -       |
|    | c              | 42      | mm | -       |
|    | D              | 215     | mm | -       |
|    | d <sub>Z</sub> | 128     | mm | -       |
|    | g              | 77      | mm | -       |
|    | g <sub>3</sub> | 74      | mm | -       |
|    | g <sub>5</sub> | 148     | mm | -       |
|    | h              | 150     | mm | -       |
|    | k              | 2.5     | mm | -       |
|    | m              | 370     | mm | -       |
|    | n              | 75      | mm | -       |
|    | s              | M24     |    | -       |
| 说明 | s <sub>2</sub> | M12     |    | -       |
| 尺寸 | t              | 245     | mm | -       |
|    | u              | 30      | mm | -       |
|    | v              | 35      | mm | -       |
| 说明 | s <sub>2</sub> | 6       |    | 数量      |
|    |                | 22224   |    | 型号, 轴承  |
| 重量 | m <sub>1</sub> | 58000   | g  | 质量, 轴承座 |
| 说明 |                | BND2224 |    | 型号, 轴承座 |

FAG BND2224-Z-T-BL-S图片



参考资料:<http://www.sozhou.com/p/ca691970.html>