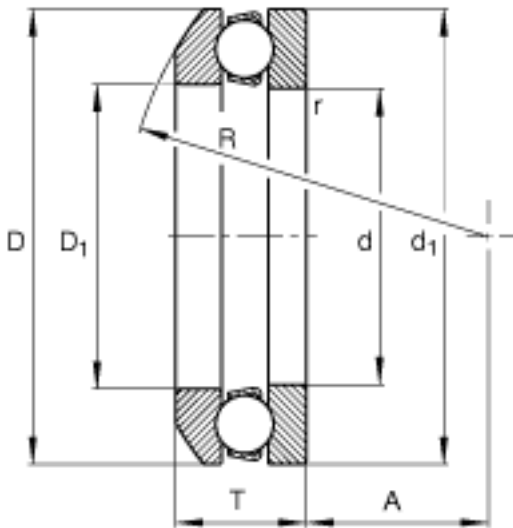
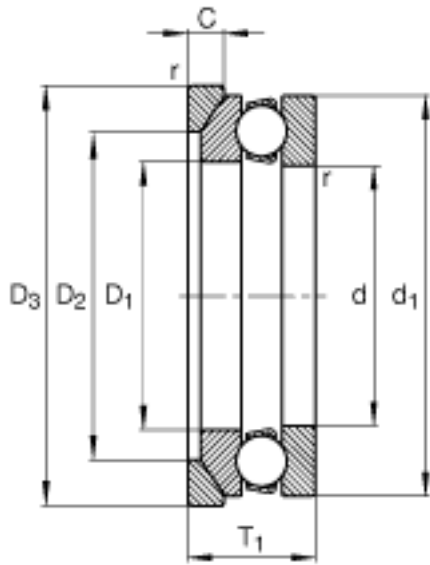
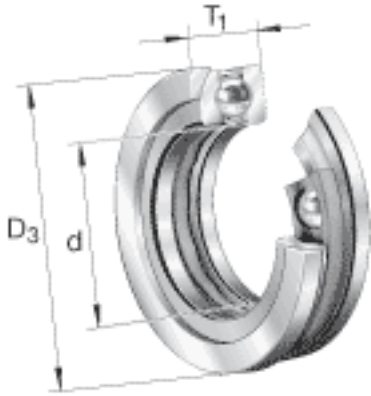


FAG 53314 + U314参数

| | | | | |
|--------|--------------|--------|-------|-------------|
| 尺寸 | T_1 | 48 | mm | - |
| | A | 43 | mm | - |
| | C | 13 | mm | - |
| | D | 125 | mm | - |
| | D_1 | 72 | mm | - |
| | D_2 | 98 | mm | - |
| | $D_{a \max}$ | 98 | mm | - |
| | d_1 | 125 | mm | - |
| | $d_{a \min}$ | 103 | mm | - |
| | R | 100 | mm | - |
| | $r_{a \max}$ | 1 | mm | - |
| | r_{\min} | 1.1 | mm | - |
| | T | 44.2 | mm | - |
| | 说明 | | U314 | |
| 重量 | m | 2090 | g | 质量 |
| | m_1 | 408 | g | 质量, 座圈 |
| 基本额定载荷 | C_a | 134000 | N | 基本额定动载荷, 轴向 |
| | C_{0a} | 290000 | N | 基本额定静载荷, 轴向 |
| 尺寸 | d | 70 | mm | - |
| | D_3 | 130 | mm | - |
| | A | 0.5 | | 最小载荷系数 |
| 极限转速 | n_G | 2750 | r/min | 极限转速 |
| 疲劳极限载荷 | C_{ua} | 12900 | N | 疲劳极限载荷, 轴向 |

FAG 53314 + U314图片



参考资料: <http://www.sozhou.com/p/cf8b31d4.html>

