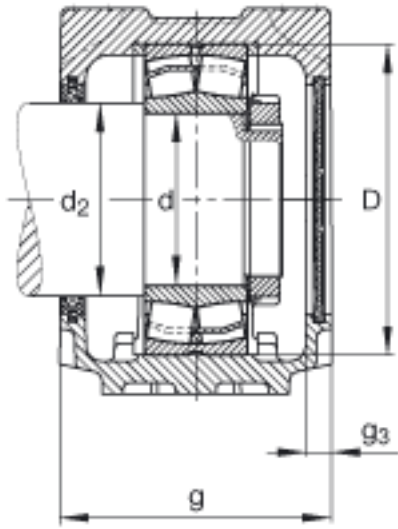
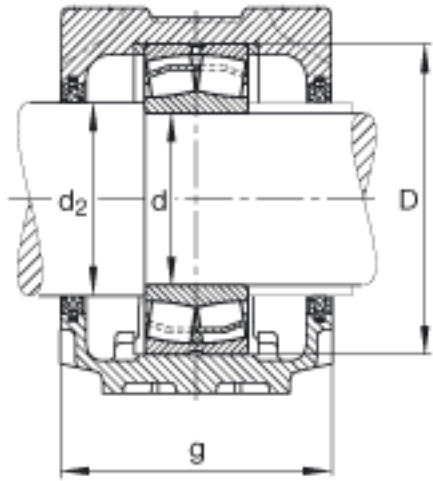


FAG SNV200-F-L + 22319 + FSV319参数

| | | | | |
|----|-------|------------|-------|----------|
| 尺寸 | d | 95 | mm | - |
| | a | 410 | mm | - |
| | h_1 | 248 | mm | - |
| | g | 175 | mm | - |
| | b | 120 | mm | - |
| | c | 45 | mm | - |
| | D | 200 | mm | - |
| | d_2 | 110 | mm | - |
| | g_3 | 16 | mm | - |
| | h | 125 | mm | - |
| | m | 350 | mm | - |
| | s | M24 | | - |
| | s | 22.225 | mm | - |
| | u | 26 | mm | - |
| | v | 32 | mm | - |
| | 重量 | m_1 | 21000 | g |
| 说明 | | 22319 | | 型号, 轴承 |
| | | KM19 | | 型号, 锁紧螺母 |
| | | MB19 | | 型号, 爪式垫圈 |
| | | FRM200/6.5 | | 型号, 定位圈 |
| | | FSV319 | | 型号, 毛毡密封 |
| | | DKV200 | | 型号, 端盖 |
| | | SNV200-F-L | | 型号, 轴承座 |

FAG SNV200-F-L + 22319 + FSV319图片





参考资料:<http://www.sozhou.com/p/d072c1dd.html>

