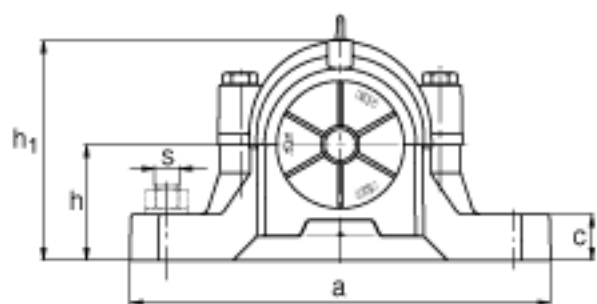
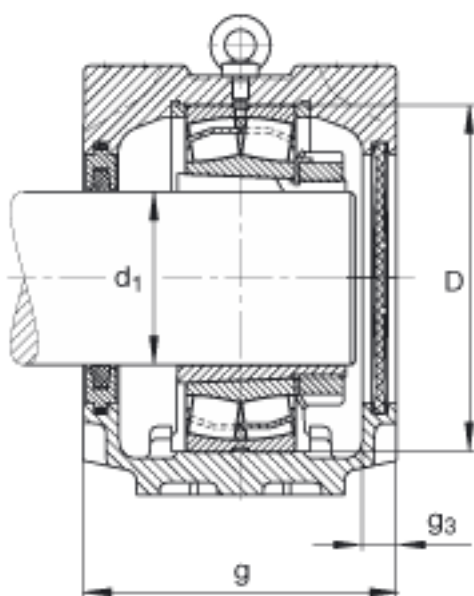
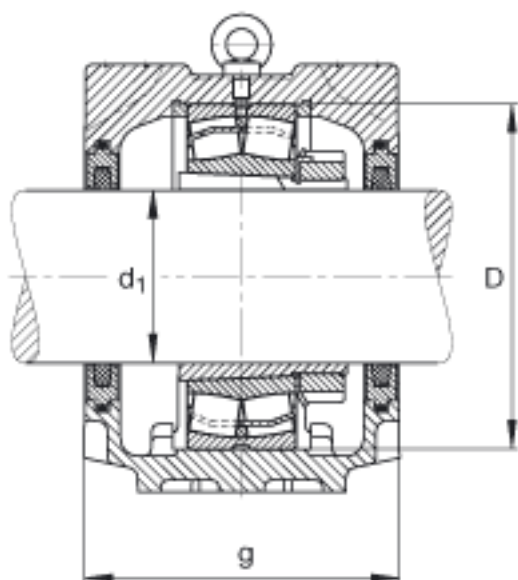


FAG SNV270-F-L + 22230K + H3130X503 + FSV530X503参数

尺寸	h	160	mm	-
	m	450	mm	-
	s	M30		-
	s	31.75	mm	-
	u	35	mm	-
	v	42	mm	-
	d <sub>1</sub>	131.762	mm	-
	a	530	mm	-
	h <sub>1</sub>	328	mm	-
	g	215	mm	-
	b	160	mm	-
	c	60	mm	-
	D	270	mm	-
	g <sub>3</sub>	18	mm	-
	重量	m <sub>1</sub>	45500	g
说明		22230K		型号, 轴承
		H3130X503		质量, 紧定套
		FRM270/16.5		型号, 定位圈
		FSV530.503		型号, 毛毡密封
		DKV270		型号, 端盖
		SNV270-F-L		型号, 轴承座

FAG SNV270-F-L + 22230K + H3130X503 + FSV530X503图片







参考资料:<http://www.sozhou.com/p/d495299a.html>