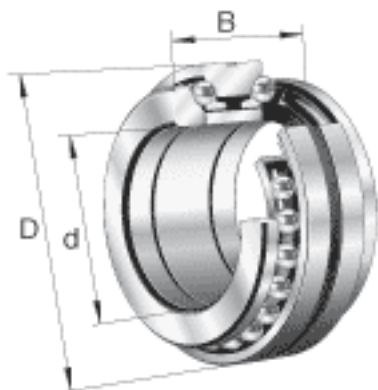
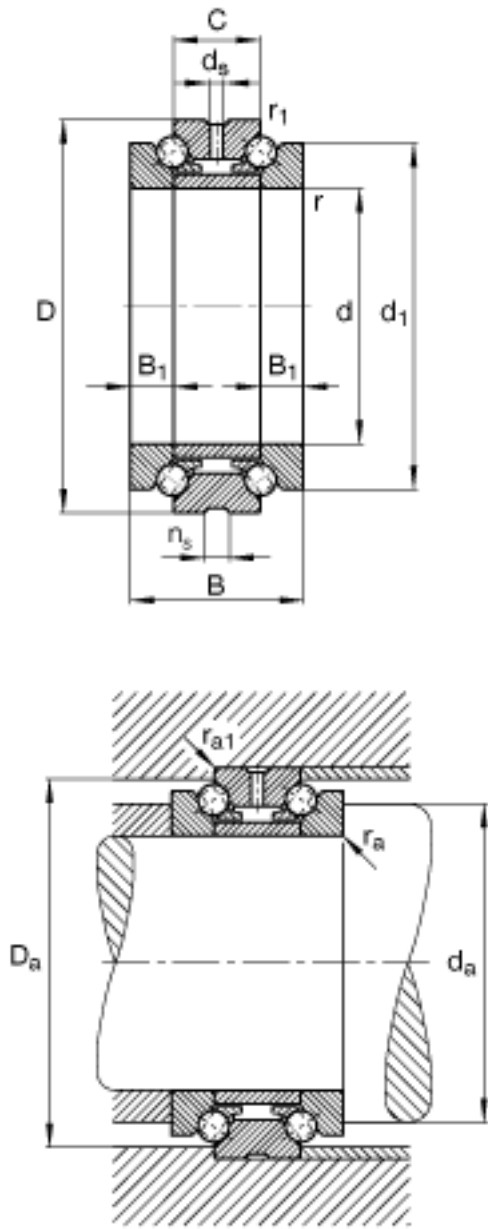


FAG 234422-M-SP参数

| | | | | |
|--------|----------------------|--------|-------|-------------|
| 尺寸 | $r_{l \text{ min}}$ | 0.6 | mm | - |
| | $r_{a \text{ max}}$ | 2 | mm | - |
| | $r_{al \text{ max}}$ | 0.6 | mm | - |
| | r_{min} | 2 | mm | - |
| 重量 | m | 4750 | g | 质量 |
| 基本额定载荷 | C_a | 98000 | N | 基本额定动载荷, 轴向 |
| | C_{0a} | 325000 | N | 基本额定静载荷, 轴向 |
| 极限转速 | $n_{G \text{ Fett}}$ | 3400 | r/min | 脂润滑时的极限转速 |
| | $n_{G \text{ Öl}}$ | 4500 | r/min | 最少油润滑时的极限转速 |
| 疲劳极限载荷 | C_{ua} | 24400 | N | 疲劳极限载荷, 轴向 |
| 尺寸 | d | 110 | mm | - |
| | D | 170 | mm | - |
| | B | 72 | mm | - |
| | B_1 | 18 | mm | - |
| | C | 36 | mm | - |
| | $D_a \text{ H12}$ | 160 | mm | - |
| | d_1 | 150 | mm | - |
| | $d_a \text{ h12}$ | 134.5 | mm | - |
| | d_s | 4.8 | mm | - |
| | n_s | 9.5 | mm | - |

FAG 234422-M-SP图片





参考资料:<http://www.sozhou.com/p/d7d69f09.html>