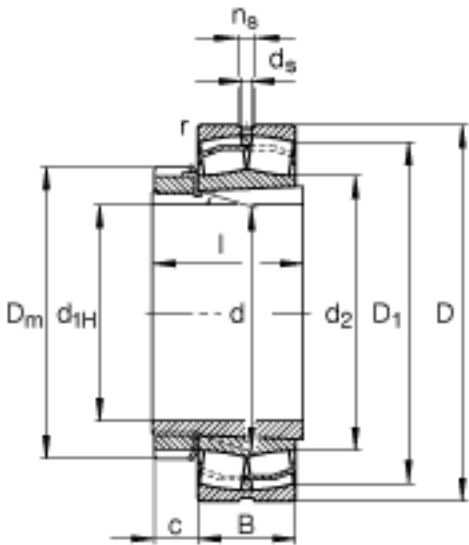
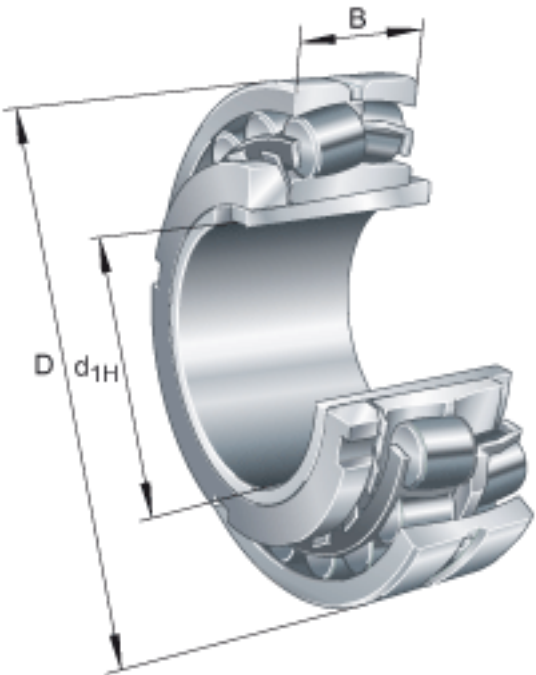


FAG 21319-E1-K-TVPB + H319参数

| | | | | |
|--------|--------------|--------|--------|-------------|
| 极限转速 | n_G | 4550 | r/min | 极限转速 |
| 参考转速 | n_B | 3300 | r/min | 参考速度 |
| 疲劳极限载荷 | C_{ur} | 47500 | N | 疲劳极限载荷, 径向 |
| 尺寸 | d_{1H} | 85 | mm | - |
| | D | 200 | mm | - |
| | B | 45 | mm | - |
| | $B_{a \min}$ | 7 | mm | - |
| | c | 19 | mm | - |
| | D_1 | 169.4 | mm | - |
| | $D_{a \max}$ | 186 | mm | - |
| | D_m | 125 | mm | - |
| | d | 95 | mm | - |
| | d_2 | 124.3 | mm | - |
| | $d_{a \max}$ | 124 | mm | - |
| | $d_{b \min}$ | 102 | mm | - |
| | d_s | 4.8 | mm | - |
| | l | 68 | mm | - |
| | n_s | 9.5 | mm | - |
| | 基本额定载荷 | C_r | 430000 | N |
| 计算系数 | e | 0.22 | | - |
| | Y_1 | 3.04 | | - |
| | Y_2 | 4.53 | | - |
| 基本额定载荷 | C_{0r} | 460000 | N | 基本额定静载荷, 径向 |
| 计算系数 | Y_0 | 2.97 | | - |
| 重量 | m_1 | 1580 | g | 质量, 紧定套 |
| 尺寸 | $r_{a \max}$ | 2.5 | mm | - |
| | r_{\min} | 3 | mm | - |

| | | | | |
|----|---|------|---|---------|
| 说明 | | H319 | | 质量, 紧定套 |
| 重量 | m | 6530 | g | 质量 |

FAG 21319-E1-K-TVPB + H319图片



参考资料:<http://www.sozhou.com/p/d8861840.html>

