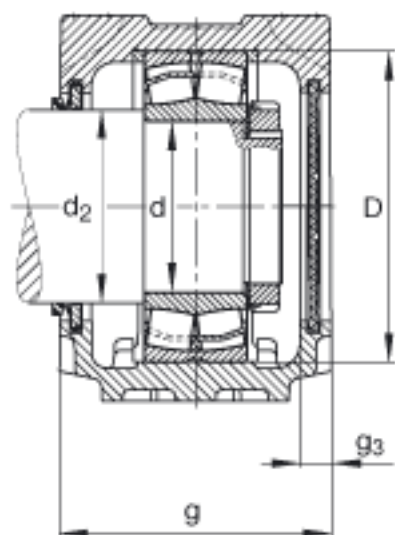
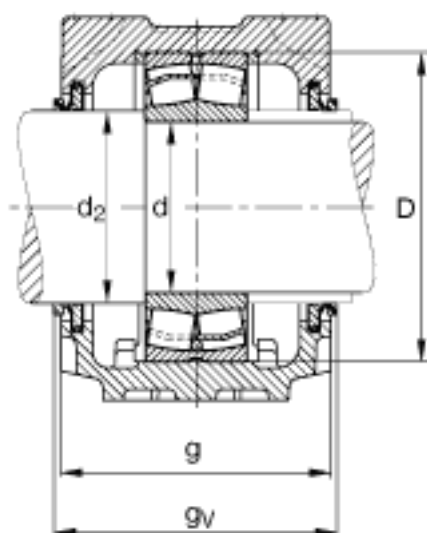


FAG SNV120-F-L + 22213 + DHV213参数

|    |                |            |    |           |
|----|----------------|------------|----|-----------|
| 说明 |                | FRM120/10  |    | 型号, 定位圈   |
|    |                | DHV213     |    | 型号, V 型密封 |
|    |                | DKV120     |    | 型号, 端盖    |
|    |                | SNV120-F-L |    | 型号, 轴承座   |
| 尺寸 | d              | 65         | mm | -         |
|    | a              | 275        | mm | -         |
|    | h <sub>1</sub> | 155        | mm | -         |
|    | g              | 115        | mm | -         |
|    | b              | 80         | mm | -         |
|    | c              | 30         | mm | -         |
|    | D              | 120        | mm | -         |
|    | d <sub>2</sub> | 75         | mm | -         |
|    | g <sub>3</sub> | 12.5       | mm | -         |
|    | g <sub>V</sub> | 125        | mm | -         |
|    | h              | 80         | mm | -         |
|    | m              | 230        | mm | -         |
|    | s              | M16        |    | -         |
|    | s              | 15.875     | mm | -         |
|    | u              | 18         | mm | -         |
|    | v              | 23         | mm | -         |
| 重量 | m <sub>1</sub> | 6100       | g  | 质量, 轴承座   |
| 说明 |                | 22213      |    | 型号, 轴承    |
|    |                | KM13       |    | 型号, 锁紧螺母  |
|    |                | MB13       |    | 型号, 爪式垫圈  |

FAG SNV120-F-L + 22213 + DHV213图片





参考资料:<http://www.sozhou.com/p/d8b3b778.html>