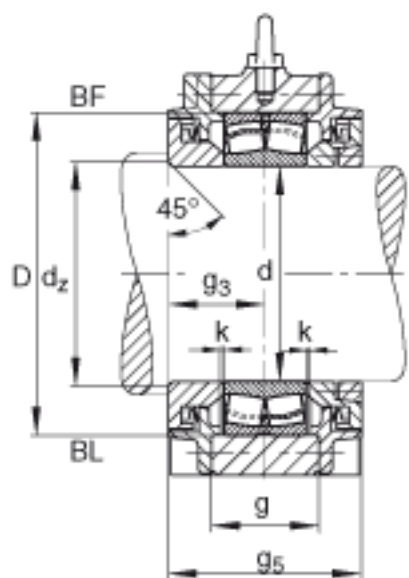


FAG BND2218-Z-T-BL-S参数

| | | | | |
|----|----------------|---------|----|---------|
| 尺寸 | d | 90 | mm | - |
| | a | 370 | mm | - |
| | h ₁ | 220 | mm | - |
| | b | 110 | mm | - |
| | c | 38 | mm | - |
| | d _z | 98 | mm | - |
| | g | 55 | mm | - |
| | g ₃ | 53 | mm | - |
| | g ₅ | 106 | mm | - |
| | h | 110 | mm | - |
| | k | 2 | mm | - |
| | m | 290 | mm | - |
| | n | 60 | mm | - |
| | s | M20 | | - |
| 说明 | s ₂ | M8 | | - |
| 尺寸 | t | 185 | mm | - |
| | u | 23 | mm | - |
| | v | 32 | mm | - |
| 说明 | s ₂ | 6 | | 数量 |
| | | 22218 | | 型号, 轴承 |
| | | BND2218 | | 型号, 轴承座 |
| 尺寸 | D | 160 | mm | - |
| 重量 | m ₁ | 28000 | g | 质量, 轴承座 |

FAG BND2218-Z-T-BL-S图片



参考资料:<http://www.sozhou.com/p/da8726b7.html>