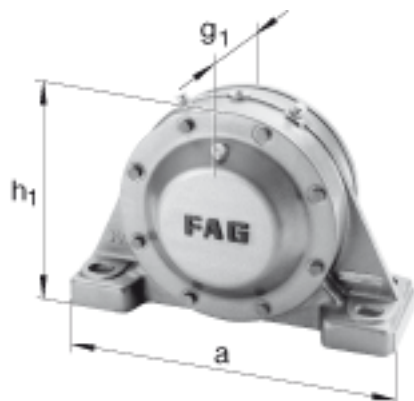
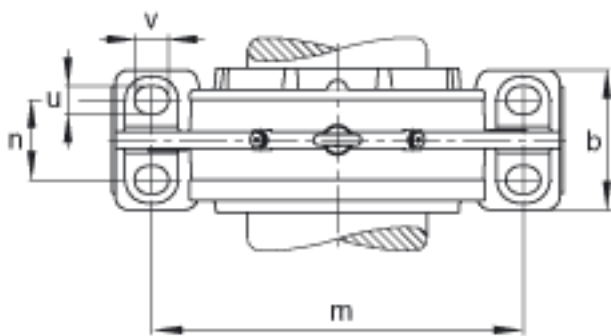
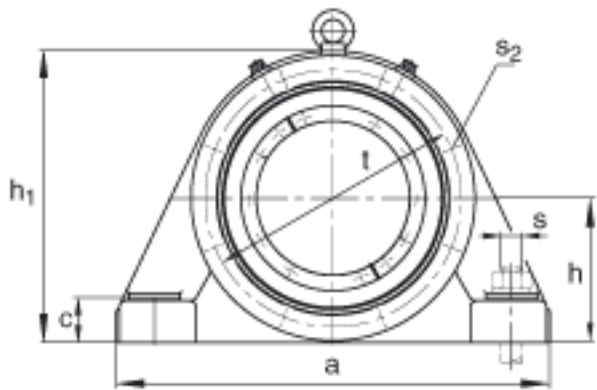
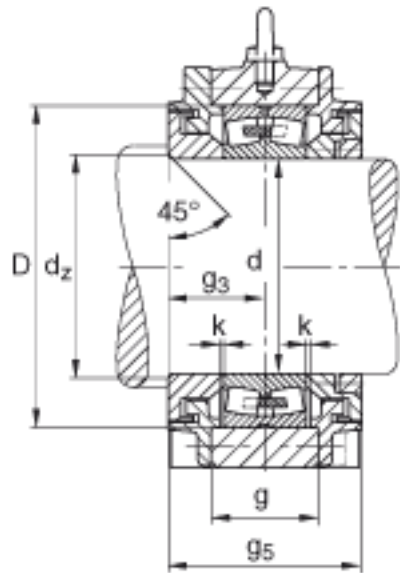


FAG BND3048-Z-Y-BF-S参数

|    |       |         |     |         |   |
|----|-------|---------|-----|---------|---|
| 尺寸 | d     | 240     | mm  | -       |   |
|    | a     | 680     | mm  | -       |   |
|    | $h_1$ | 455     | mm  | -       |   |
|    | b     | 210     | mm  | -       |   |
|    | c     | 70      | mm  | -       |   |
|    | D     | 360     | mm  | -       |   |
|    | $d_z$ | 252     | mm  | -       |   |
|    | g     | 120     | mm  | -       |   |
|    | $g_3$ | 108     | mm  | -       |   |
|    | $g_5$ | 216     | mm  | -       |   |
|    | h     | 225     | mm  | -       |   |
|    | m     | 560     | mm  | -       |   |
|    | n     | 120     | mm  | -       |   |
|    | s     | M36     |     | -       |   |
|    | 说明    | $s_2$   | M16 |         | - |
|    | 尺寸    | t       | 400 | mm      | - |
| u  |       | 42      | mm  | -       |   |
| v  |       | 52      | mm  | -       |   |
| 说明 | $s_2$ | 8       |     | 数量      |   |
|    |       | 23048   |     | 型号, 轴承  |   |
| 重量 | $m_1$ | 130000  | g   | 质量, 轴承座 |   |
| 说明 |       | BND3048 |     | 型号, 轴承座 |   |

FAG BND3048-Z-Y-BF-S图片





参考资料:<http://www.sozhou.com/p/ddedc02c.html>