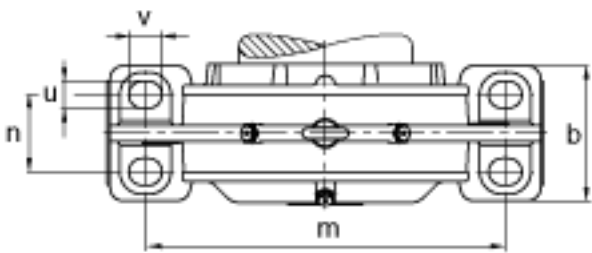
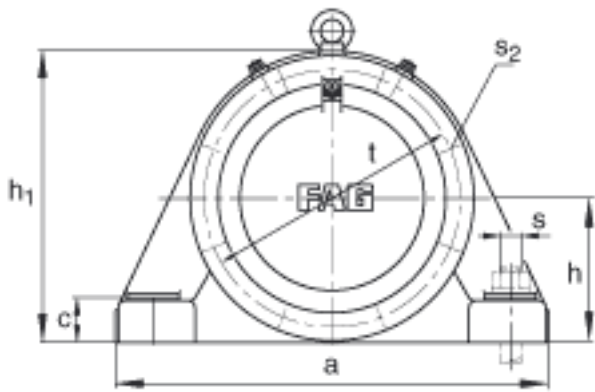
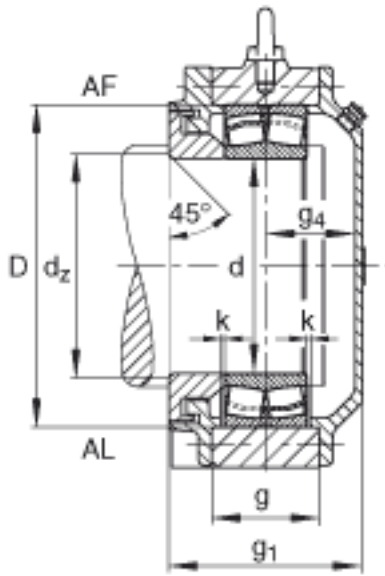


FAG BND3032-Z-Y-AF-S参数

| | | | | |
|----|----------------|---------|----|---------|
| 尺寸 | d | 160 | mm | - |
| | a | 480 | mm | - |
| | h ₁ | 310 | mm | - |
| | g ₁ | 156 | mm | - |
| | b | 150 | mm | - |
| | c | 45 | mm | - |
| | D | 240 | mm | - |
| | g | 85 | mm | - |
| | g ₄ | 71 | mm | - |
| | h | 155 | mm | - |
| | m | 390 | mm | - |
| | n | 90 | mm | - |
| | s | M24 | | - |
| 说明 | s ₂ | M12 | | - |
| 尺寸 | t | 265 | mm | - |
| | u | 30 | mm | - |
| | v | 35 | mm | - |
| 说明 | s ₂ | 8 | | 数量 |
| | | 23032 | | 型号, 轴承 |
| 重量 | m ₁ | 45000 | g | 质量, 轴承座 |
| 说明 | | BND3032 | | 型号, 轴承座 |
| 尺寸 | d _z | 168 | mm | - |

FAG BND3032-Z-Y-AF-S图片





参考资料:<http://www.sozhou.com/p/e0dfbeb4.html>