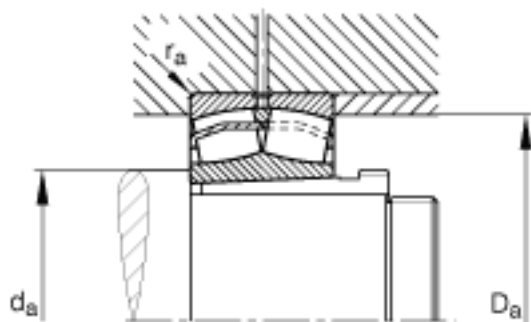
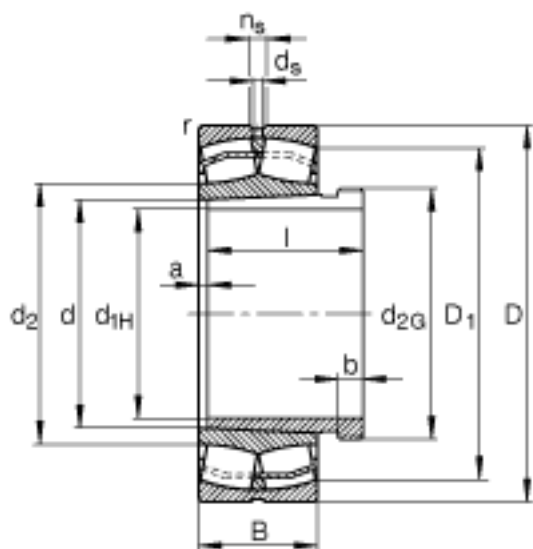
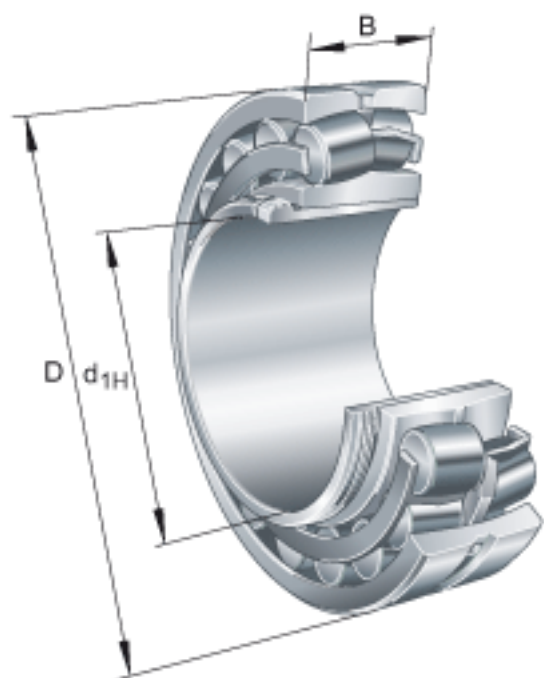


FAG 22324-E1-K + AHX2324G参数

| | | | | |
|--------|--------------|----------|-------|-------------|
| 尺寸 | d_{1H} | 115 | mm | - |
| | D | 260 | mm | - |
| | B | 86 | mm | - |
| | a | 4 | mm | - |
| | b | 17 | mm | - |
| | D_1 | 222.4 | mm | - |
| | $D_{a\ max}$ | 246 | mm | - |
| | d | 120 | mm | - |
| | d_2 | 150.7 | mm | - |
| | d_{2G} | M130x2 | | - |
| | $d_{a\ min}$ | 134 | mm | - |
| | d_s | 8 | mm | - |
| | l | 105 | mm | - |
| | n_s | 15 | mm | - |
| | $r_{a\ max}$ | 2.5 | mm | - |
| | r_{min} | 3 | mm | - |
| 说明 | | AHX2324G | | 型号, 退卸套 |
| 重量 | m | 22100 | g | 质量 |
| | m_1 | 1500 | g | 质量, 退卸套 |
| 基本额定载荷 | C_r | 1080000 | N | 基本额定动载荷, 径向 |
| 计算系数 | e | 0.33 | | - |
| | Y_1 | 2.06 | | - |
| | Y_2 | 3.06 | | - |
| 基本额定载荷 | C_{0r} | 1170000 | N | 基本额定静载荷, 径向 |
| 计算系数 | Y_0 | 2.01 | | - |
| 极限转速 | n_G | 2850 | r/min | 极限转速 |
| 参考转速 | n_B | 2070 | r/min | 参考速度 |
| 疲劳极限载荷 | C_{ur} | 103000 | N | 疲劳极限载荷, 径向 |

FAG 22324-E1-K + AHX2324G图片



参考资料:<http://www.sozhou.com/p/e12b1409.html>