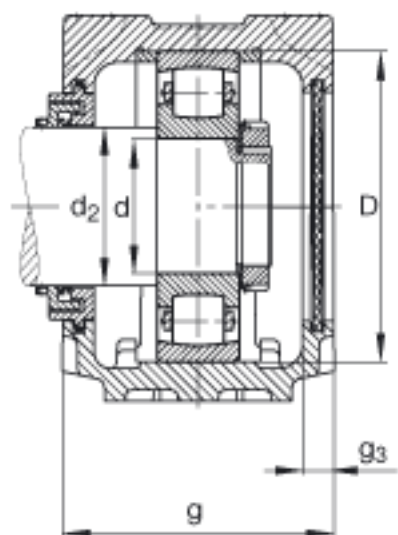
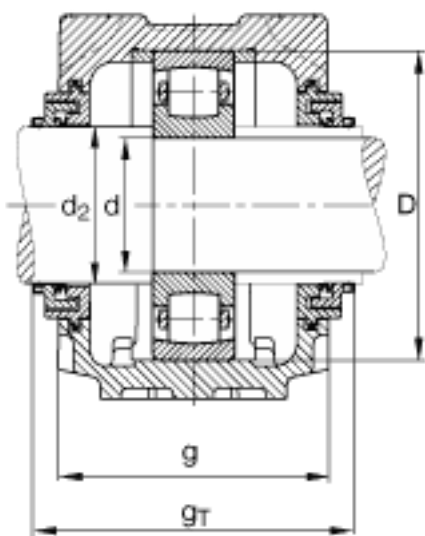


FAG SNV160-F-L + 20315 + TCV315参数

|    |                |            |    |                 |
|----|----------------|------------|----|-----------------|
| 尺寸 | a              | 345        | mm | -               |
|    | h <sub>1</sub> | 201        | mm | -               |
|    | g              | 145        | mm | -               |
|    | b              | 100        | mm | -               |
|    | c              | 35         | mm | -               |
|    | D              | 160        | mm | -               |
|    | d <sub>2</sub> | 85         | mm | -               |
|    | g <sub>3</sub> | 15         | mm | -               |
|    | g <sub>T</sub> | 185.5      | mm | -               |
|    | h              | 100        | mm | -               |
|    | m              | 290        | mm | -               |
|    | s              | M20        |    | -               |
|    | s              | 19.05      | mm | -               |
|    | u              | 22         | mm | -               |
|    | v              | 27         | mm | -               |
| 重量 | m <sub>1</sub> | 12800      | g  | 质量, 轴承座         |
| 说明 |                | 20315      |    | 型号, 轴承          |
|    |                | KM15       |    | 型号, 锁紧螺母        |
|    |                | MB15       |    | 型号, 爪式垫圈        |
|    |                | FRM160/14  |    | 型号, 定位圈         |
|    |                | TCV315     |    | 型号, Taconite 密封 |
|    |                | DKV160     |    | 型号, 端盖          |
|    |                | SNV160-F-L |    | 型号, 轴承座         |
| 尺寸 | d              | 75         | mm | -               |

FAG SNV160-F-L + 20315 + TCV315图片





参考资料:<http://www.sozhou.com/p/e1876bd0.html>