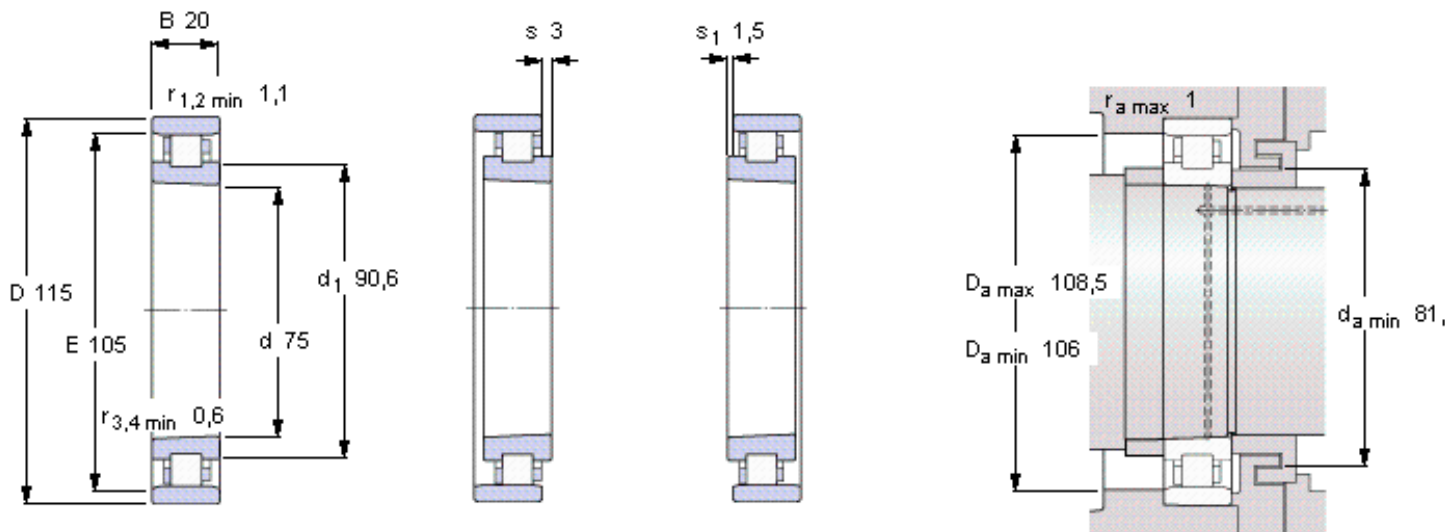


SKF N 1015 KTNHA/HC5SP参数

| | | | | |
|--------|---------|--------------------|-------|-----|
| 主要尺寸 | d | 75 | mm | - |
| | D | 115 | mm | - |
| | B | 20 | mm | - |
| 基本额定载荷 | C | 55000 | N | 动载荷 |
| | C_0 | 72000 | N | 静载荷 |
| 疲劳载荷极限 | P_u | 8500 | N | - |
| 极限转速 | Grease | 14000 | r/min | - |
| | Oil-air | 20000 | r/min | - |
| 重量 | 重量 | 570 | g | - |
| 型号 | 型号 | N 1015 KTNHA/HC5SP | - | - |

SKF N 1015 KTNHA/HC5SP图片



Tapered bore, taper 1:12

Reference grease quantity [cm³]

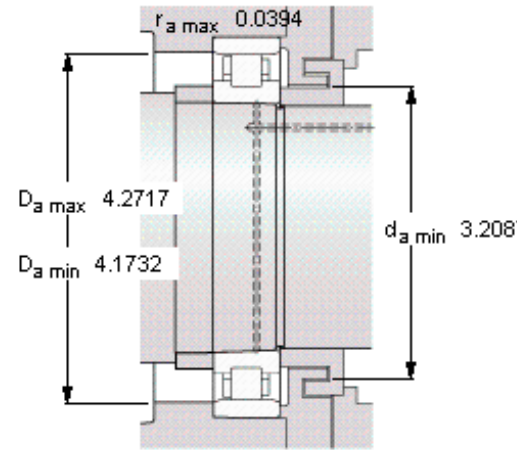
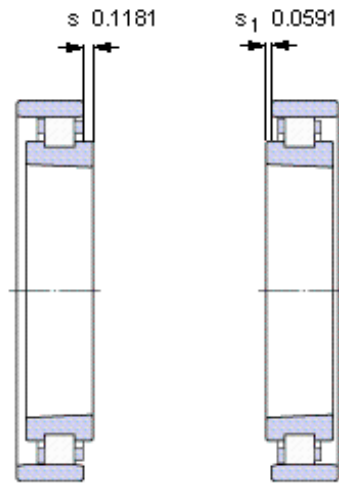
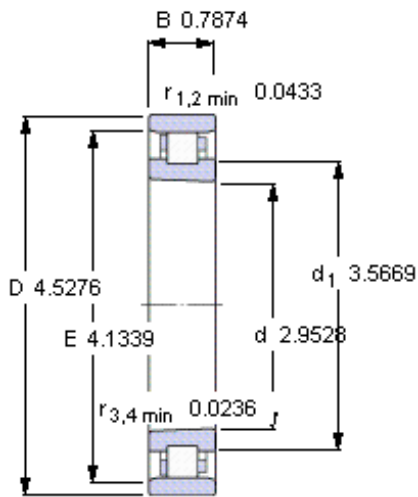
G_{ref} 7,7

Static radial stiffness [N/ μ m]

(guideline value)

1050

参考资料: <http://www.sozhou.com/p/e287618d.html>



Tapered bore, taper 1:12

Reference grease quantity [cm³]

$G_{\text{ref}} 7,7$

Static radial stiffness [N/μm]

(guideline value)

1050