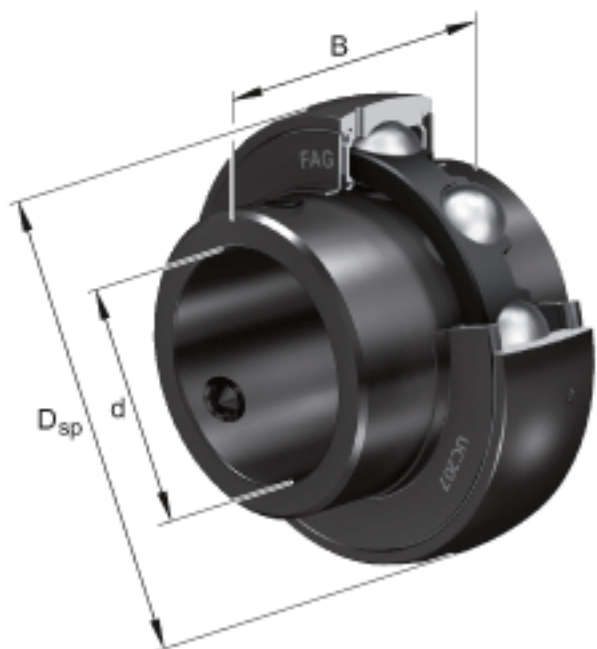


FAG UC213-41参数

| | | | | |
|--------|----------|---------|----|------------|
| 尺寸 | d | 65.0875 | mm | - |
| | D_{SP} | 120 | mm | - |
| | B | 65.1 | mm | - |
| | A | 12 | mm | - |
| | C | 28 | mm | - |
| | C_2 | 29.4 | mm | - |
| | C_a | 8.2 | mm | - |
| | d_1 | 80.85 | mm | - |
| | S | 25.4 | mm | - |
| | W | 6.35 | mm | - |
| 重量 | m | 1720 | g | 重量 |
| 基本额定载荷 | C_r | 57000 | N | 基本额定动载荷，径向 |
| | C_{0r} | 40000 | N | 基本额定静载荷，径向 |

FAG UC213-41图片



参考资料:<http://www.sozhou.com/p/e7f6b14f.html>

