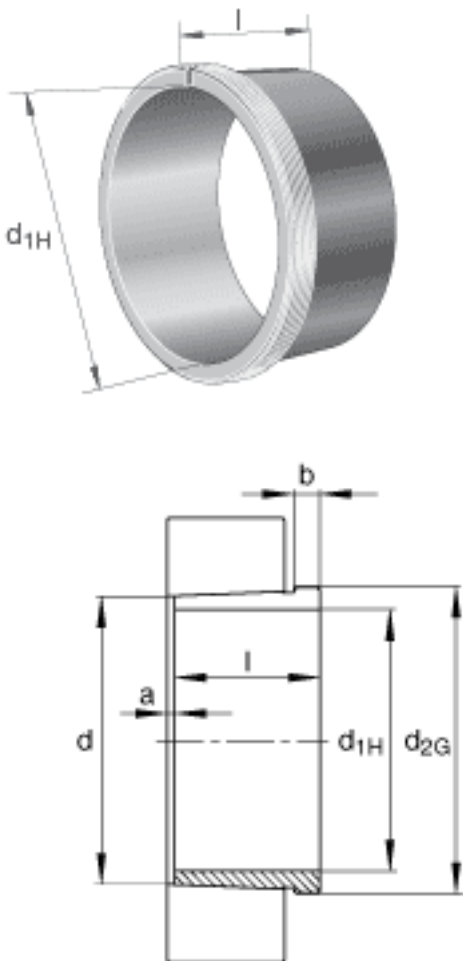


FAG AH31/900A-H参数

| | | | | |
|----|----------|---------|----|----|
| 尺寸 | d_{1H} | 850 | mm | - |
| | l | 475 | mm | - |
| | a | 20 | mm | - |
| | b | 63 | mm | - |
| | d | 900 | mm | - |
| | d_{2G} | Tr950x8 | mm | - |
| | e | 15 | mm | - |
| | R_o | G1/4 | | - |
| | t | 15 | mm | - |
| 说明 | | 850 | mm | 轴 |
| 重量 | m | 368000 | g | 质量 |

FAG AH31/900A-H图片





参考资料:<http://www.sozhou.com/p/ee2656c0.html>