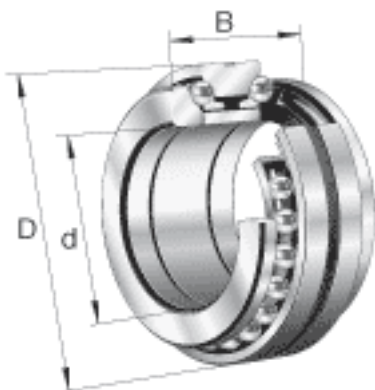


FAG 234408-M-SP参数

| | | | | |
|--------|---------------------|-------|-------|-------------|
| 尺寸 | d | 40 | mm | - |
| | D | 68 | mm | - |
| | B | 36 | mm | - |
| | B ₁ | 9 | mm | - |
| | C | 18 | mm | - |
| | D _a H12 | 63.5 | mm | - |
| | d ₁ | 58.5 | mm | - |
| | d _a h12 | 51.5 | mm | - |
| | d _s | 3.2 | mm | - |
| | n _s | 4.8 | mm | - |
| | r ₁ min | 0.15 | mm | - |
| | r _a max | 1 | mm | - |
| | r _{a1} max | 0.15 | mm | - |
| | r _{min} | 1 | mm | - |
| | 重量 | m | 390 | g |
| 基本额定载荷 | C _a | 22900 | N | 基本额定动载荷, 轴向 |
| | C _{0a} | 59000 | N | 基本额定静载荷, 轴向 |
| 极限转速 | n _G Fett | 8500 | r/min | 脂润滑时的极限转速 |
| | n _G Öl | 12000 | r/min | 最少油润滑时的极限转速 |
| 疲劳极限载荷 | C _{ua} | 5300 | N | 疲劳极限载荷, 轴向 |

FAG 234408-M-SP图片





参考资料:<http://www.sozhou.com/p/eff32874.html>