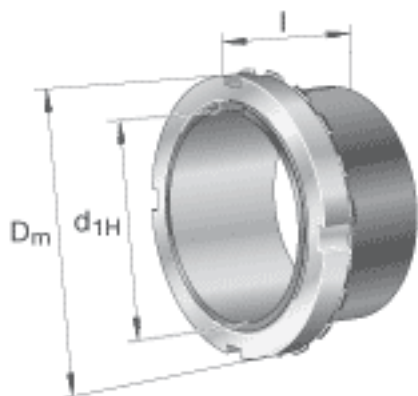
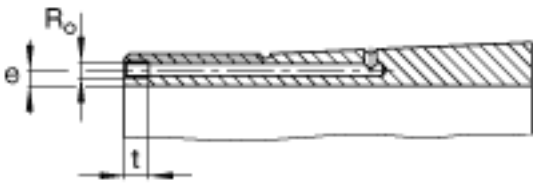


FAG H3036-HG参数

| | | | | |
|----|----------|--------|----|----------|
| 尺寸 | d_{1H} | 160 | mm | - |
| | D_m | 210 | mm | - |
| | c | 30 | mm | - |
| | d | 180 | mm | - |
| | d_{2G} | M180x3 | | - |
| | e | 4.2 | mm | - |
| | R_o | M6 | | - |
| | t | 7 | mm | - |
| 说明 | | 160 | mm | 轴 |
| | | KML36 | | 型号, 螺母 |
| | | MBL36 | | 型号, 止动装置 |
| 重量 | m | 7180 | g | 质量 |
| 尺寸 | l | 109 | mm | - |

FAG H3036-HG图片





参考资料:<http://www.sozhou.com/p/f0fc90aa.html>