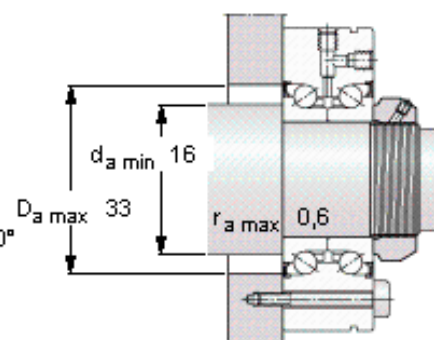
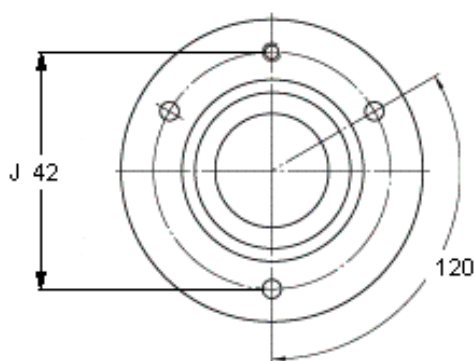
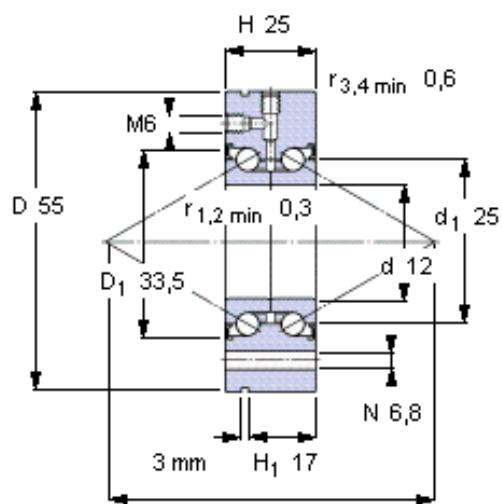


SKF BEAM 012055-2RZ参数

主要尺寸	d	12	mm	-
	D	55	mm	-
	H	25	mm	-
基本额定载荷	C	16800	N	动载荷
	C_0	24500	N	静载荷
疲劳载荷极限	P_u	915	N	-
可达转速	Attainable speed	6700	r/min	-
重量	重量	370	g	-
型号	型号	BEAM 012055-2RZ	-	-

SKF BEAM 012055-2RZ图片



Preload¹⁾ [N]

600

Frictional moment¹⁾ [Nm]

(guideline value)

0,16

¹⁾ Values apply to unmounted bearings

Static stiffness¹⁾

(guideline values)

Axial [N/μm]

350

Moment [Nm/mrad]

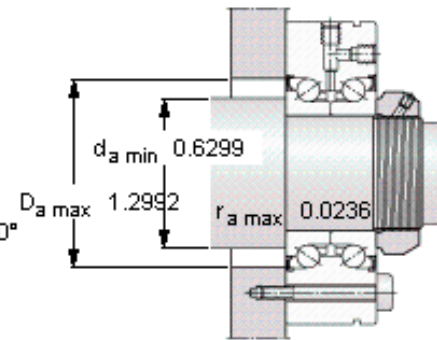
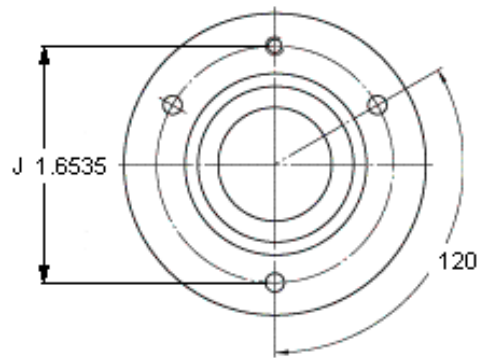
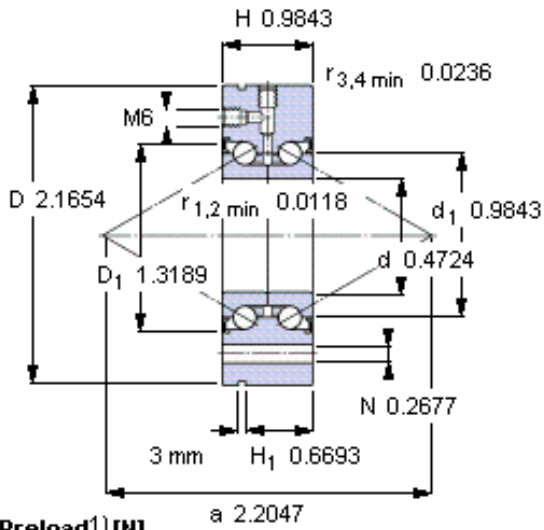
80

Required attachment bolts

(no. of bolts x pitch)

3 x 120°

参考资料: <http://www.sozhou.com/p/f323a79b.html>



Preload¹⁾ [N]

600

Frictional moment¹⁾ [Nm]

(guideline value)

0,16

¹⁾ Values apply to unmounted bearings

Static stiffness¹⁾

(guideline values)

Axial [N/μm] 350

Moment [Nm/mrad] 80

Required attachment bolts

(no. of bolts x pitch)

3 x 120°