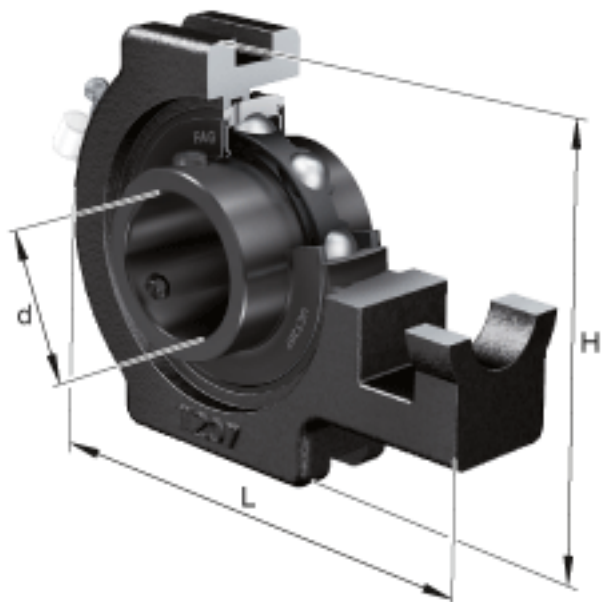
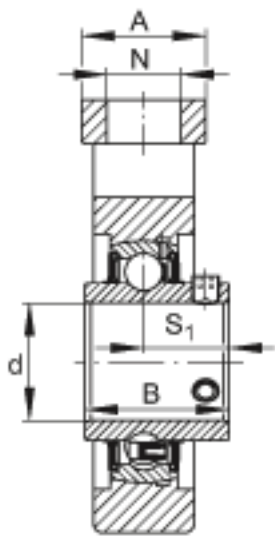
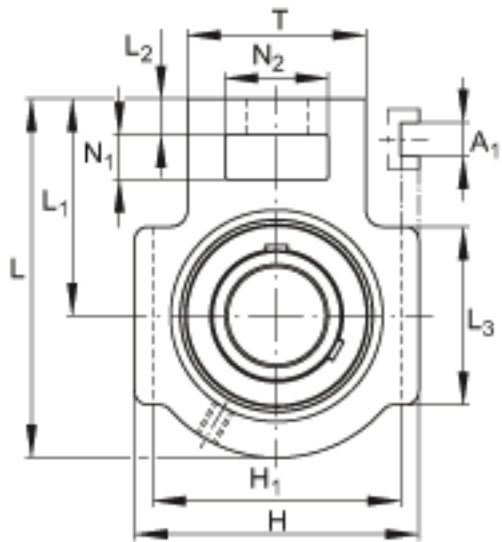


### FAG UCT212-39参数

|    |                |           |      |            |
|----|----------------|-----------|------|------------|
| 尺寸 | d              | 61.9125   | mm   | -          |
|    | L              | 194       | mm   | -          |
|    | H              | 146       | mm   | -          |
|    | A              | 64        | mm   | -          |
|    | A <sub>1</sub> | 22        | mm   | -          |
|    | B              | 65.1      | mm   | -          |
|    | H <sub>1</sub> | 130       | mm   | -          |
|    | L <sub>1</sub> | 119       | mm   | -          |
|    | L <sub>2</sub> | 19        | mm   | -          |
|    | L <sub>3</sub> | 102       | mm   | -          |
|    | N              | 35        | mm   | -          |
|    | N <sub>1</sub> | 32        | mm   | -          |
|    | N <sub>2</sub> | 64        | mm   | -          |
|    | S <sub>1</sub> | 39.7      | mm   | -          |
|    | T              | 102       | mm   | -          |
|    | 重量             | m         | 4610 | g          |
| 说明 |                | T212      |      | 型号, 轴承座    |
|    |                | UCT212-39 |      | 型号, 外球面球轴承 |

### FAG UCT212-39图片





参考资料:<http://www.sozhou.com/p/fa9226bd.html>